



CBCL

Single Point Load Cell (1kgf ~ 3kgf)

www.ctaplus.com

FEATURE

- Low cost
- Off center compensated
- Protection class IP65

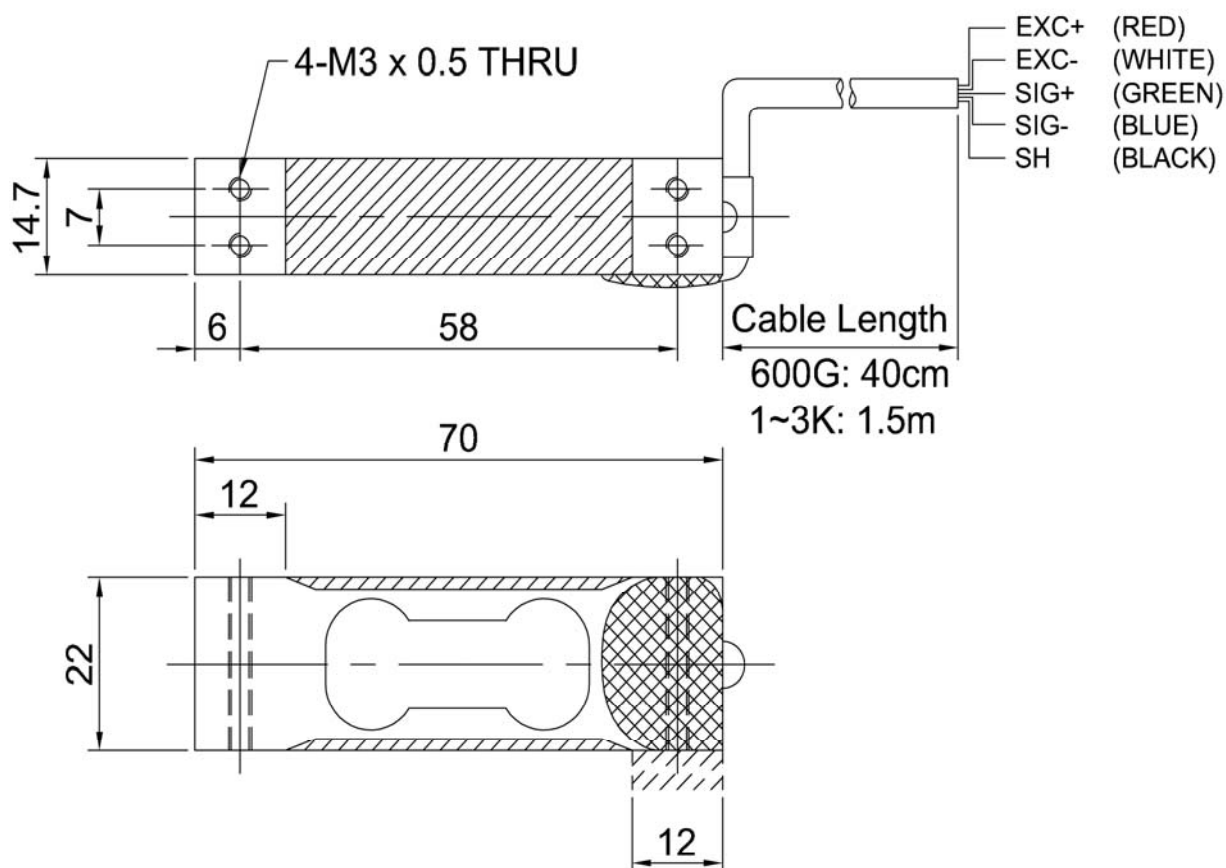
SPECIFICATION

MODEL	CBCL
Rated capacity (R.C.)	1, 2, 3kgf (special type: 600gf)
Rated output (R.O.)	1.0 ± 0.2 mV/V
Zero balance	0 ± 0.1 mV/V
Combined error	0.03% R.O.
Repeatability	0.01% R.O.
Creep for 30 min	0.03% R.O.
Temp. effect on zero value	0.028% / 10°C
Temp. effect on output value	0.014% / 10°C
Excitation recommended	10V DC
Excitation maximum	15V DC
Terminal resistance, input	$400 \pm 20\Omega$
Terminal resistance, output	$350 \pm 3.5\Omega$
Insulation resistance	$>2000M\Omega @ 50V$ DC
Compensated temperature range	-10 to +40 °C
Operating temperature range	-20 to +80 °C



- ◆ Mounting
Socket-head cap screw M3 x 1.0(10.9)
Tightening torque : 1.5Nm
- ◆ Maximum Platform Size
200 x 200mm
- ◆ Material
Anodized Aluminum
- ◆ Cable
Braided shield 4-wire round cable
with PVC-jacket

DIMENSION





CBCL

Single Point Load Cell (6kgf ~ 30kgf)

www.ctaplus.com

FEATURE

- Low cost
- Off center compensated
- Protection class IP65

SPECIFICATION

MODEL	CBCL
Rated capacity (R.C.)	6, 10, 15, 20, 30 kgf
Rated output (R.O.)	2.0 ± 0.2 mV/V
Zero balance	0 ± 0.1 mV/V
Combined error	0.03% R.O.
Repeatability	0.01% R.O.
Creep for 30 min	0.03% R.O.
Temp. effect on zero value	0.028% / 10°C
Temp. effect on output value	0.014% / 10°C
Excitation recommended	10V DC
Excitation maximum	15V DC
Terminal resistance, input	400 ± 20Ω
Terminal resistance, output	350 ± 3.5Ω
Insulation resistance	>2000MΩ@50V DC
Compensated temperature range	-10 to +40 °C
Operating temperature range	-20 to +80 °C



- ◆ Mounting
Socket-head cap screw M6 x 1.0(10.9)
Tightening torque : 14Nm
- ◆ Maximum Platform Size
300 x 300mm
- ◆ Material
Anodized Aluminum
- ◆ Cable
Braided shield 4-wire round cable
with PVC-jacket

DIMENSION

