

CBSB

Shear Beam Load Cell (150kgf ~ 10tf)

www.ctaplus.com

FEATURE

- Integral mounting space
- Protection class IP66

SPECIFICATION

MODEL	CBSB
Rated capacity (R.C.)	150, 250, 300, 500 kgf 1, 2, 3, 5, 10 tf
Rated output (R.O.)	3.0 ± 0.0075 mV/V 150kgf: 1.5mV/V, 300kgf: 2.0mV/V
Zero balance	0 ± 0.03 mV/V
Combined error	0.03% R.O.
Repeatability	0.01% R.O.
Creep for 30 min	0.03% R.O.
Temp. effect on zero value	0.028% / 10°C
Temp. effect on output value	0.015% / 10°C
Excitation recommended	10V DC
Excitation maximum	15V DC
Terminal resistance, input	350 ± 3.5Ω
Terminal resistance, output	350 ± 3.5Ω
Insulation resistance	> 2000MΩ@50V DC
Compensated temperature range	-10 to +40°C
Operating temperature range	-30 to +80°C



◆ Mounting

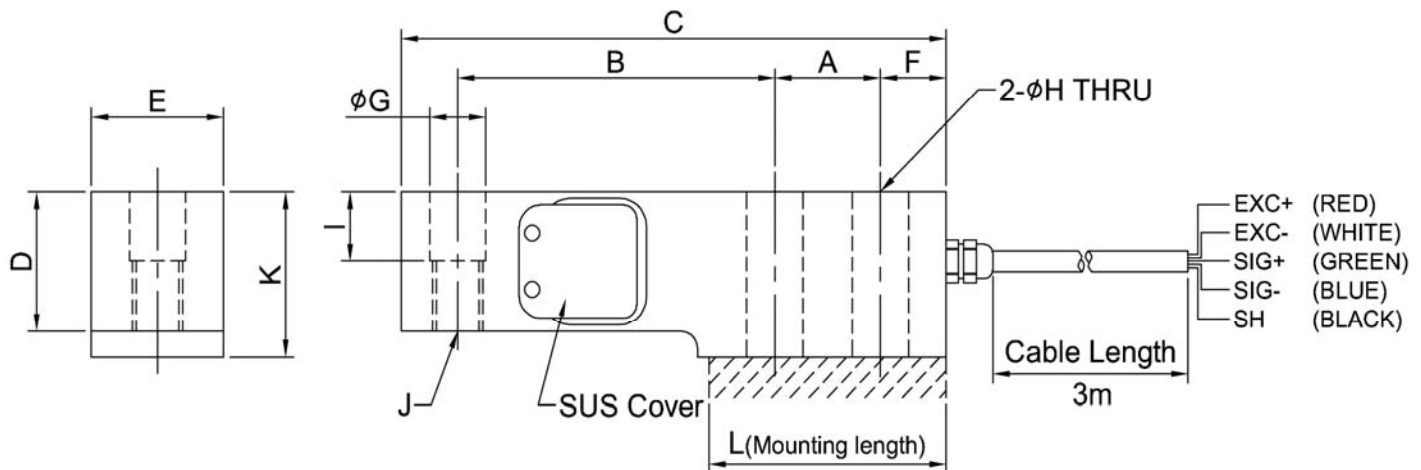
Capacity	Hexagon head-Bolt	Tightening torque
150kgf ~ 2tf	M12 x 1.75(10.9)	100Nm
3tf ~ 5tf	M18 x 1.5(10.9)	350Nm
10tf	M24 x 2.0(10.9)	860Nm

◆ Material

Nickel plated steel

◆ Cable

Braided Shield 4-wire round cable with PVC-jacket



DIMENSION

Rated Capacity	A	B	C	D	E	F	φG	φH	I	J	K	L
150, 250, 300, 500 kgf 1, 2tf	25.4	76.2	131	32	31.8	15.8	13.5	13.5	16	M12x1.75	38	57
3, 5tf	38.1	95.3	171.5	38	38	19	20	20	19	M18x1.5	44.5	76
10tf	50.8	120.7	222.3	50.8	50.75	25.4	26.2	26.2	25.4	M24x2.0	57.2	108