



CSBA

S-beam Load Cell (50kgf ~ 5tf)

www.ctaplus.com

FEATURE

- Tension or compression applications
- Suitable for hanging scales
- Protection class IP66

SPECIFICATION

MODEL	CSBA
Rated capacity (R.C.)	50, 100, 200, 500 kgf 1, 2, 3, 5 tf
Rated output (R.O.)	3.0 ± 0.03 mV/V
Zero balance	0 ± 0.03 mV/V
Combined error	0.03% R.O.
Repeatability	0.01% R.O.
Creep for 30 min	0.03% R.O.
Temp. effect on zero value	0.028% / 10°C
Temp. effect on output value	0.015% / 10°C
Excitation recommended	10V DC
Excitation maximum	15V DC
Terminal resistance, input	400 ± 25Ω
Terminal resistance, output	350 ± 3.5Ω
Insulation resistance	> 2000MΩ@50V DC
Compensated temperature range	-10 to +40°C
Operating temperature range	-20 to +80°C

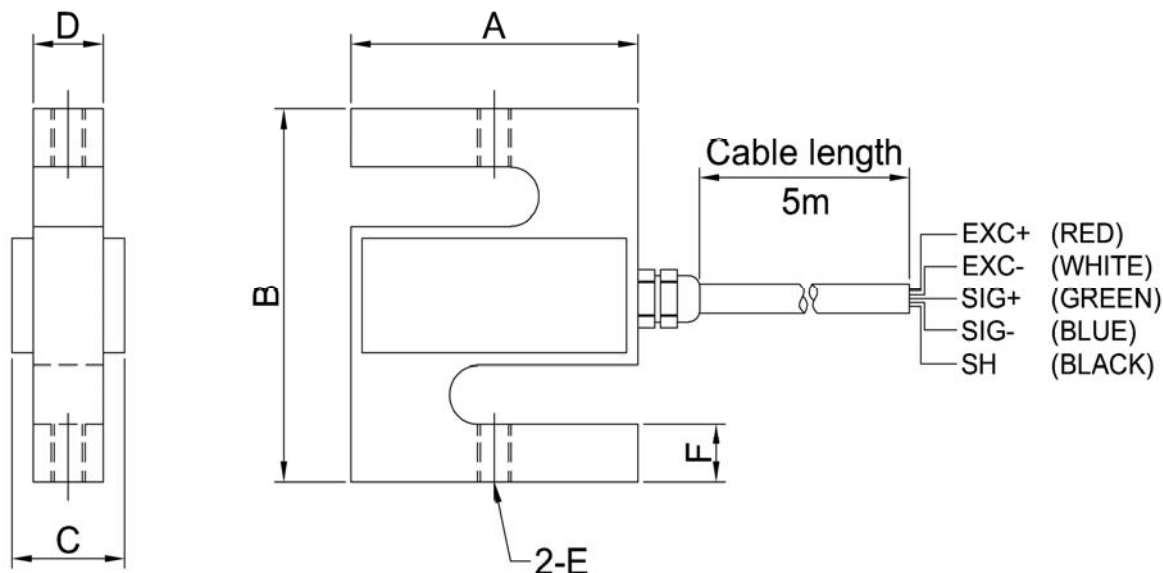


◆ Material

Nickel plated steel

◆ Cable

Braided Shield 4-wire round cable with PVC-jacket



DIMENSION

Rated Capacity	A	B	C	D	E	F
50, 100kgf	51	63.5	16.7	12.7	M6 x 1.0	10
200, 500kgf	51	76	27	19	M12 x 1.75	12.6
1tf	51	76	33	25.4	M12 x 1.75	12.6
2, 3tf	77	108	33	25.4	M18 x 1.5	19
5tf	88.9	120.7	38	32	M24 x 2.0	22.1