



CUM

Miniature Load Cell (1kgf ~ 20kgf)

www.ctaplus.com

FEATURE

- Compression or tension application
- These load cells are extremely small and lightweight
- Protection class IP67

SPECIFICATION

MODEL	CUM
Rated capacity (R.C.)	1, 2, 5, 10, 20 kgf
Rated output (R.O.)	0.7 to 1.2 mV/V
Zero balance	± 2% R.O.
Combined error	0.1% R.O.
Repeatability	0.1% R.O.
Creep for 30 min	0.1% R.O.
Temp. effect on zero value	0.05% / 10°C
Temp. effect on output value	0.1% / 10°C
Excitation maximum	5V DC
Terminal resistance, input	350 ± 30Ω
Terminal resistance, output	350 ± 2Ω
Insulation resistance	> 2000MΩ@50V DC
Compensated temperature range	-10 to +40°C
Operating temperature range	-20 to +70°C

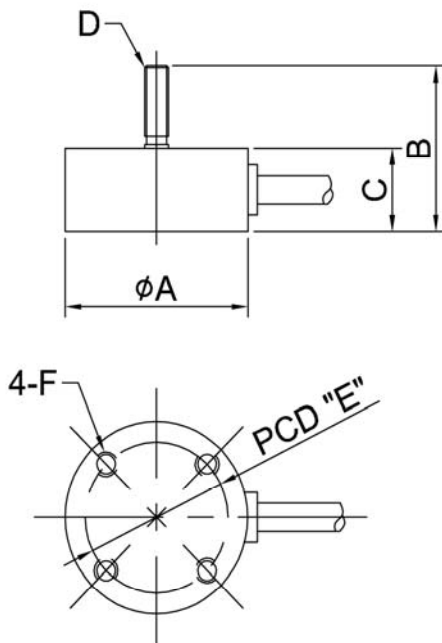


◆ Material

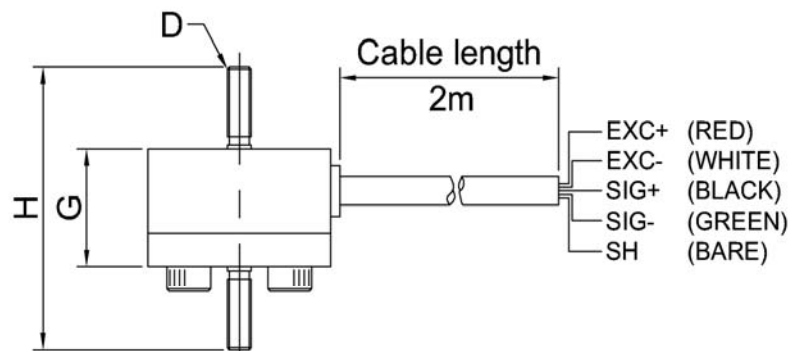
Stainless steel

◆ Cable

Braided Shield 4-wire round cable with PVC-jacket



TENSION PLATE (OPTION)



DIMENSION

Rated Capacity	φA	B	C	D	E	F	G	H
1, 2, 5kgf	23	20	10	M3 x 0.5	18	M3 DP5	14	34
10, 20kgf	27	21	11	M6 x 1	22	M4 DP5	17	37