



CUU

S-beam Load Cell (2kgf ~ 20kgf)

www.ctaplus.com

FEATURE

- Compact size
- These are extremely accurate and compact tension and compression load cell

SPECIFICATION

MODEL	CUU
Rated capacity (R.C.)	2, 5, 10, 20 kgf
Rated output (R.O.)	2.0 mV/V \pm 1% 2, 5kgf : 1.5 mV/V \pm 1%
Zero balance	\pm 2% R.O.
Combined error	0.03% R.O.
Repeatability	0.02% R.O.
Creep for 30 min	0.03% R.O.
Temp. effect on zero value	0.1% / 10°C
Temp. effect on output value	0.05% / 10°C
Excitation recommended	5V DC
Excitation maximum	10V DC
Terminal resistance, input	350 \pm 50 Ω
Terminal resistance, output	350 \pm 3 Ω
Insulation resistance	> 2000M Ω @50V DC
Compensated temperature range	-10 to +40°C
Operating temperature range	-20 to +70°C

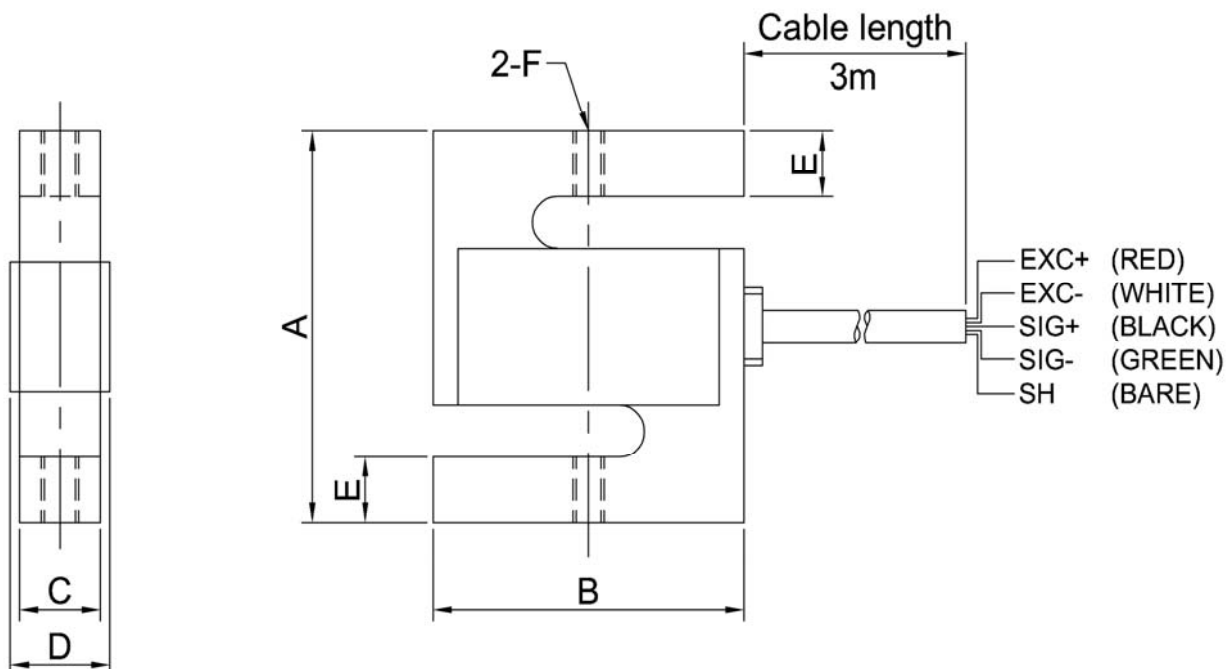


◆ Material

Nickel plated steel

◆ Cable

Braided Shield 4-wire round cable with PVC-jacket



DIMENSION

Rated Capacity	A	B	C	D	E	F
2, 5kgf	60	50	13	16	10	M6 x 1.0
10, 20kgf	70	52	13	18	13	M6 x 1.0