



# TNN

## Reaction Torque Transducer (50kgf-cm ~ 2000kgf-cm)

[www.ctaplus.com](http://www.ctaplus.com)

### FEATURE

Reaction measurements eliminate speed limitations.

Minimal friction error.

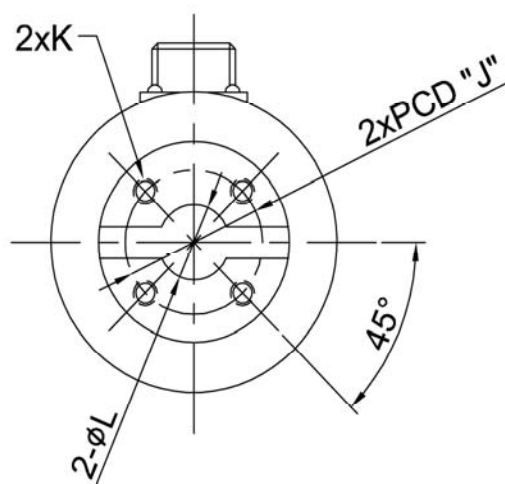
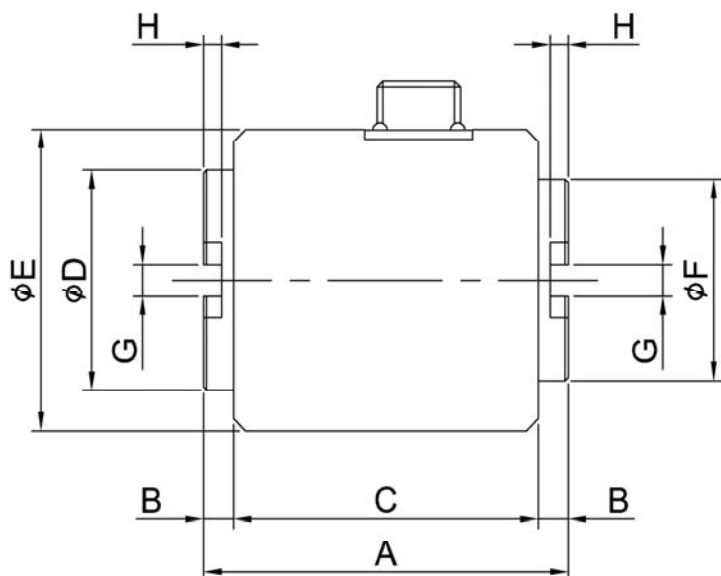
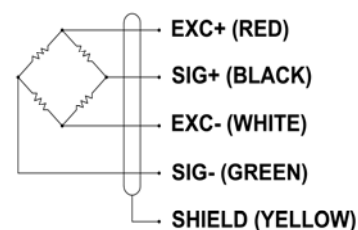
Compact "low mass" physical size

### SPECIFICATION

MODEL	TNN
Rated capacity (R.C.)	50, 100, 200, 500, 1000, 2000 kgf-cm
Rated output (R.O.)	1.5 ± 0.35mV/V
Non-linearity	≤ 0.3% R.O.
Hysteresis	≤ 0.3% R.O.
Non-repeatability	≤ 0.3% R.O.
Terminal resistance, input	350Ω ± 1%
Terminal resistance, output	350Ω ± 1%
Insulation resistance	>2000MΩ
Temp. effect on rated output	≤ 0.1% LOAD/10°C
Temp. effect on zero balance	≤ 0.1% R.O./10°C
Excitation Voltage	10V DC
Safe overload	150% R.C.
Cable	φ7 shield 5m



### WIRING INFORMATION



### DIMENSION

Rated Capacity	A	B	C	φD	φE	φF	G	H	J	K	φL
20, 50, 100 kgf-cm	54	4	46	26	38	23	4	2.5	16.5	4-M3 TAP DP 7	8
200, 500 kgf-cm	61	5	51	35	48	32	5	3	23	4-M4 TAP DP 10	12
1000, 2000 kgf-cm	70	6	58	45	58	42	6	3.5	30	4-M5 TAP DP 10	15