

TA

Universal Load Cell



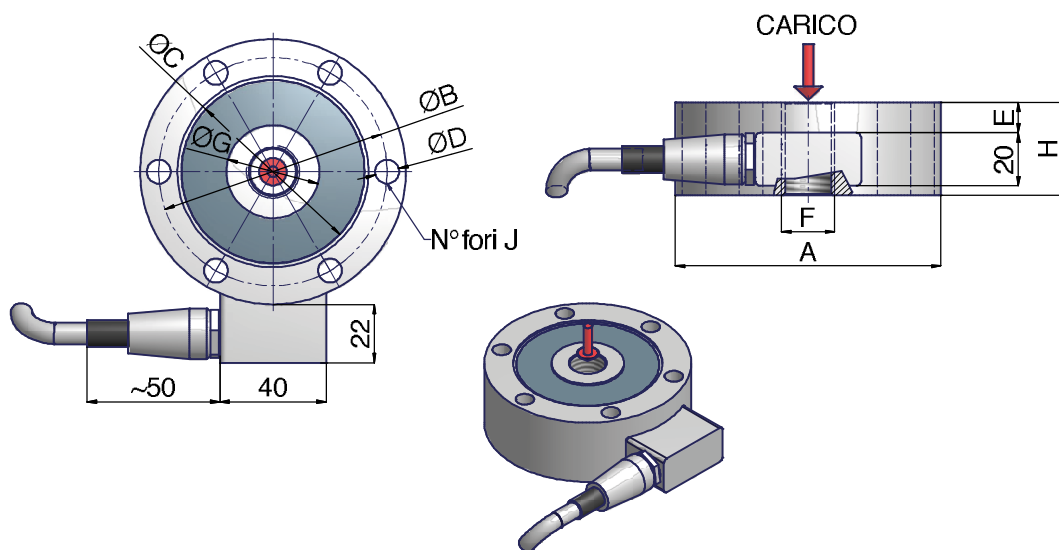
DISTINCTIVE FEATURES

- Capacities: 0,5t to 100 t
- Low profile Stainless Steel construction
- Protection IP 67 (EN 60529)
- High accuracy
- On request Ex II 3D (zone 22) version

APPLICATION

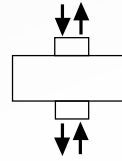
Universal load cells mod. TA are high precision cells and for this reason they are mainly used in laboratory machine.

DIMENSIONS (mm)



Portata / Load kg	A	B	C	D	E	F	G	H	J	L	M	N
0,5 t	100	86	72	9	3,5	M20 x 1,5	32	35	6	40	3,5	20
1 t	100	86	72	9	3,5	M20 x 1,5	32	35	6	40	3,5	20
2 t	100	86	72	9	3,5	M20 x 1,5	32	35	6	40	3,5	20
5 t	127	110	92	11	3,5	M30x 2	47	35	8	40	3,5	20
10 t	127	110	92	11	3,5	M30x 2	47	35	8	40	3,5	20
20 t	165	138	108	13	5	M42 x 3	62	50	12	40	5	20
30 t	165	138	108	13	5	M42 x 3	62	50	12	40	5	20
50 t	165	138	108	13	5	M42 x 3	62	50	12	40	5	20
60 t	165	138	108	13	5	M42 x 3	62	50	12	40	5	20
75 t	230	190	147	25	5	M72 x 3	104	70	12	40	13	20
100 t	230	190	147	25	5	M72 x 3	104	70	12	40	13	20

Capacities	Standard	OIML	ATEX
0,5 t	●	●	●
1 t	●	●	●
2 t	●	●	●
5 t	●	●	●
10 t	●	●	●
20 t	●	●	●
30 t	●	●	●
50 t	●	●	●
60 t	●	●	●
75 t	●	●	●
100 t	●	●	●



TA
 Universal Load Cell

TECHNICAL DATA

Accuracy class	Standard	Temp. effect on zero balance (5°C)	<± 0,02% fs
Capacities fs (Emax)	0,5 ÷ 100 t	Temp. effect on rated output (5°C)	<± 0,005% fs
Rated output (Cn)	2 mV/V ± 0,1%	Compensated temperature range	-10°C ÷ +40°C
Nominal excitation range	5 ÷ 10V	Operating temperature range	-20°C ÷ +70°C
Maximum excitation	15V	Maximum safe load	150% fs
Zero balance output	0,02 mV/V	Ultimate load	>300% fs
Input resistance	400 ± 25 Ω	Protection class (EN60529)	IP67
Output resistance	350 ± 2 Ω	Material	Stainless Steel
Insulation resistance	> 5 GΩ	Fixing screws tightening torque	18 Nm (screw M8)
Combined error	<± 0,04% fs		46 Nm (screw M10)
Non repeatability	<± 0,02% fs		80 Nm (screw M12)
Reversibility	0,20% fs	Weight	Max ~ 6,8 kg
Creep 30 min.	<± 0,03% fs	Cable lenght	5m - 6 x 0,35 mm ² / 6 x 0,14 mm ²

WIRE DIAGRAM

