



This is I.T. Co., Ltd.
1878 Moo 1 Soi Bearing 44 Sukhumvit 107 Rd.
T.Samrongnua A.Muang Samutprakarn Thailand 10270
Hot Line: 091-095-8123 Site: www.thisisit.co.th E-mail: sales@thisisit.co.th

HCS – SMALL WASHER TYPE LOAD CELL

Features

- Ultra-small load cell for use in screw looseness meters.
- Classes of applicable bolts: M6, M8, M10 & M12.
- Mounting space: 36 mm in dia. and 16 mm in height.



Specifications

Safe Overload	150%RC
Rated Output	1.5mV/V±20% (25kN ~ 70kN) 1.8mV/V±20% (100kN)
Nonlinearity	3% RO
Hysteresis	3% RO
Repeatability	1.5% RO
Excitation Voltage	10V (or less)
Safe Excitation Voltage	15V
Input Resistance	350Ω
Output Resistance	350Ω
Compensated Temp.Range	-10 to 60°C
Safe Temp.Range	-30 to 80°C
Temp.Effect on Zero	0.01%RO/°C
Temp.Effect on Output	0.03%/°C
Connector (on body)	Φ4mm-4wire shielded cable, length: 5m
Attached connector	PRC03-12A10-7M



Micro Sensor Technology

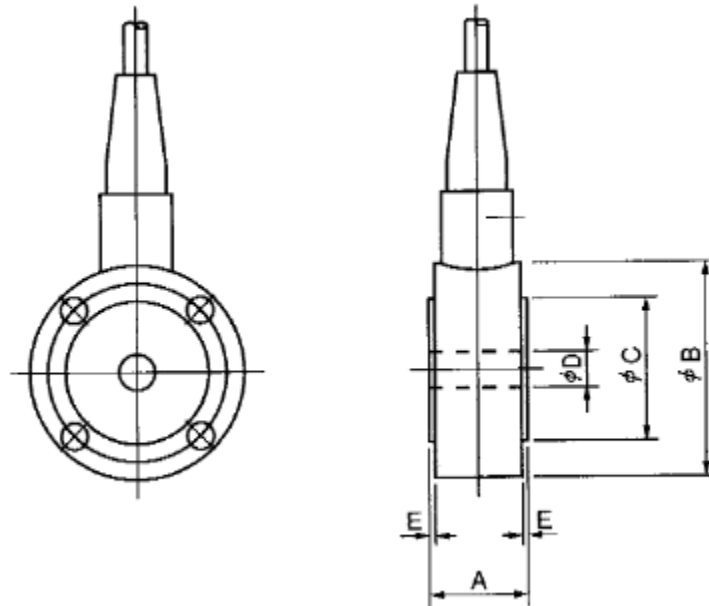
SHOWA MEASURING INSTRUMENTS INC.

Tokyo Japan



This is I.T. Co., Ltd.
 1878 Moo 1 Soi Bearing 44 Sukhumvit 107 Rd.
 T.Samrongnua A.Muang Samutprakarn Thailand 10270
 Hot Line: 091-095-8123 Site: www.thisisit.co.th E-mail: sales@thisisit.co.th

Appearance Dimensions



Model and Capacity / Dimension / etc. (unit : mm)

Model	Capacity	A	B	C	D	E	Natural frequency	Weight
HCS-25KN	25kN	16	36	24	6.1	0.5	1.3kHz	65g
HCS-50KN	50kN	16	36	24	8.1	0.5	1.8kHz	70g
HCS-70KN	70kN	16	36	24	10.1	0.5	2.0kHz	75g
HCS-100KN	100kN	16	36	24	12.1	0.5	2.3kHz	75g



Micro Sensor Technology

SHOWA MEASURING INSTRUMENTS INC.

Tokyo Japan