



This is I.T. Co., Ltd.  
1878 Moo 1 Soi Bearing 44 Sukhumvit 107 Rd.  
T.Samrongnua A.Muang Samutprakarn Thailand 10270  
Hot Line: 091-095-8123 Site: [www.thisisit.co.th](http://www.thisisit.co.th) E-mail: [sales@thisisit.co.th](mailto:sales@thisisit.co.th)

# LSM – BEAM TYPE LOAD CELL

## Features

- High accuracy. High output. For versatile applications.
- Large capacity load beam type insuring easy installation.
- Insuring highly stable features on account of having been subjected to a special humidity-proof treatment.
- All aluminum construction. Low cost.
- Main applications: For testing machines, industrial machines, scales, etc.
- Accuracy class: 0.05%.



## Specifications

<b>Safe Overload</b>	150%RC
<b>Rated Output</b>	2mV/V±1%
<b>Nonlinearity</b>	0.05%RO
<b>Hysteresis</b>	0.05%RO
<b>Repeatability</b>	0.03%RO
<b>Excitation Voltage</b>	12V (or less)
<b>Safe Excitation Voltage</b>	20V
<b>Input Resistance</b>	350Ω
<b>Output Resistance</b>	350Ω
<b>Compensated Temp.Range</b>	-10 to 60°C
<b>Safe Temp.Range</b>	-30 to 80°C
<b>Temp.Effect on Zero</b>	0.005%RO/°C
<b>Temp.Effect on Output</b>	0.005%/°C
<b>Cable</b>	Φ6mm-4wire shielded cable, length: 5m



**Micro Sensor Technology**

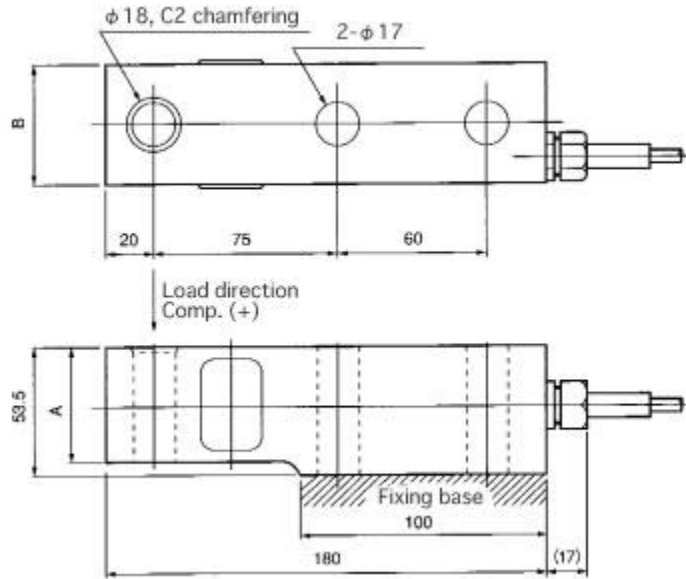
SHOWA MEASURING INSTRUMENTS INC.

Tokyo Japan



This is I.T. Co., Ltd.  
 1878 Moo 1 Soi Bearing 44 Sukhumvit 107 Rd.  
 T.Samrongnua A.Muang Samutprakarn Thailand 10270  
 Hot Line: 091-095-8123 Site: [www.thisisit.co.th](http://www.thisisit.co.th) E-mail: [sales@thisisit.co.th](mailto:sales@thisisit.co.th)

## Appearance Dimensions



Model and Capacity / Dimension / etc. (unit : mm)

Model	Capacity	A	B	Natural frequency	Weight
LSM-5KN	5kN	37	45	1.3kHz	1.1kg
LSM-10KN	10kN	48	50	1.6kHz	1.3kg
LSM-20KN	20kN	51	50	2.0kHz	1.4kg

- Confirmation to undescribed items to be made with reference to descriptions on instruction manuals or directly to this Company.



**Micro Sensor Technology**

SHOWA MEASURING INSTRUMENTS INC.

Tokyo Japan