



This is I.T. Co., Ltd.

1878 Moo 1 Soi Bearing 44 Sukhumvit 107 Rd.

T.Samrongnua A.Muang Samutprakarn Thailand 10270

Hot Line: 091-095-8123 Site: www.thisisit.co.th E-mail: sales@thisisit.co.th

LSS – COAXIAL BEAM TYPE LOAD CELL

Features

- High accuracy. High output. For versatile applications.
- Easy for installation because of its thin construction.
- Insuring highly stable features on account of having been subjected to a special humidity-proof treatment.
- Can offer low capacity units (down to 100N) on special requests.
- Main applications: For testing machines, industrial machines, scales, etc.
- Accuracy class: 0.05%.



Specifications

Safe Overload	150%RC
Rated Output	2mV/V±1%
Nonlinearity	0.05%RO
Hysteresis	0.05%RO
Repeatability	0.03%RO
Excitation Voltage	12V (or less)
Safe Excitation Voltage	20V
Input Resistance	350Ω
Output Resistance	350Ω
Compensated Temp.Range	-10 to 60°C
Safe Temp.Range	-30 to 80°C
Temp.Effect on Zero	0.005%RO/°C
Temp.Effect on Output	0.005%/°C
Cable	Φ4mm-4wire shielded cable, length: 5m



Micro Sensor Technology

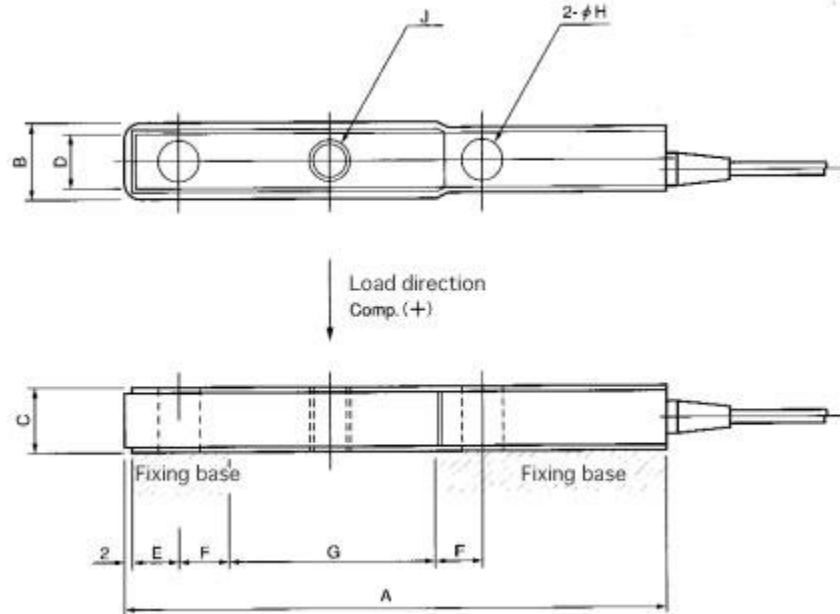
SHOWA MEASURING INSTRUMENTS INC.

Tokyo Japan



This is I.T. Co., Ltd.
 1878 Moo 1 Soi Bearing 44 Sukhumvit 107 Rd.
 T.Samrongnua A.Muang Samutprakarn Thailand 10270
 Hot Line: 091-095-8123 Site: www.thisisit.co.th E-mail: sales@thisisit.co.th

Appearance Dimensions



Model and Capacity / Dimension / etc. (unit : mm)

Model	Capacity	A	B	C	D	E	F	G	H	J	Natural frequency	Weight
LSS-5KN	5kN	171	25	20	21	15	15	66	13	M12	4.5kHz	0.5kg
LSS-10KN	10kN	171	25	20	21	15	15	66	13	M12	7.2kHz	0.5kg
LSS-20KN	20kN	202	35	30	31	20	17	86	18	M16	10kHz	1.3kg

- Confirmation to undescribed items to be made with reference to descriptions on instruction manuals or directly to this Company.



Micro Sensor Technology

SHOWA MEASURING INSTRUMENTS INC.

Tokyo Japan