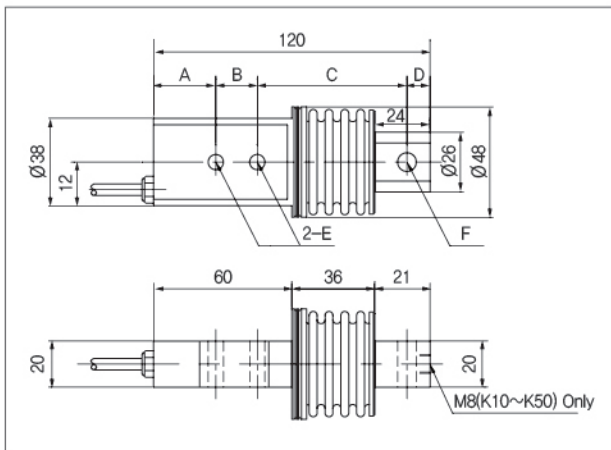


# Bending Beam Load Cell

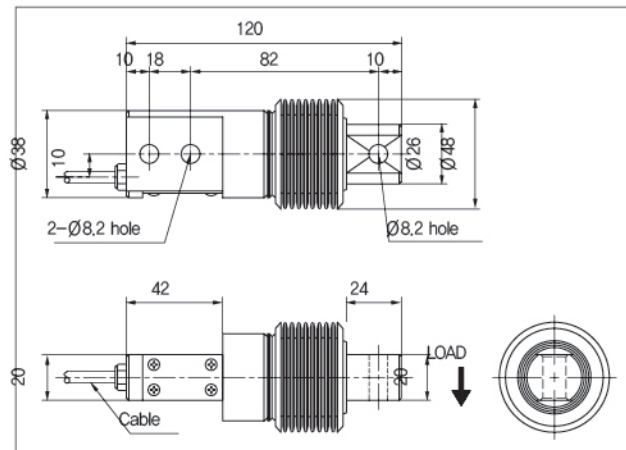
## > Model CBC25

Stainless steel bellows seal.  
Compact, lightweight and easy-to-mount



## > Model CBC35

Stainless steel bellows seal.  
Compact, lightweight and easy-to-mount



## >SPECIFICATIONS

Specifications	Accuracy
Rated capacity(R.C)	10, 20, 50, 100, 200kgf, 300kg (98.07N ~ 2,940kN)
Rated output(R.O)	2mV/V±0.5%
Nonlinearity	0.05% of R.O.
Hysteresis	0.05% of R.O.
Repeatability	0.03% of R.O.
Zero balance	±1% of R.O.
Temperature effect on rated output	0.02% of LOAD/10°C
Temperature effect on zero balance	0.02% of R.O./10°C
Temperature range, compensated	-10°C to 60°C
Temperature range, safe	-20°C to 80°C
Terminal resistance, input	350±50Ω
Terminal resistance, output	350±5Ω
Insulation resistance bridge	5000MΩ
Excitation recommended	10V
Safe overload	120% R.C.
Cable length	Ø5 4core cable, 3m

## >SPECIFICATIONS

Specifications	Accuracy
Rated capacity(R.C)	10kgf, 20kgf, 50kgf, 100kgf, 200kgf, 300kgf (98.07N ~ 2,940kN)
Rated output(R.O)	2mV/V±0.5%
Nonlinearity	0.05% of R.O.
Hysteresis	0.05% of R.O.
Repeatability	0.03% of R.O.
Zero balance	±1% of R.O.
Temperature effect on rated output	±0.1% of LOAD/10°C
Temperature effect on zero balance	±0.1% of R.O./10°C
Temperature range, compensated	-10°C to 60°C
Temperature range, safe	-20°C to 70°C
Terminal resistance, input	350±10Ω
Terminal resistance, output	350±5Ω
Insulation resistance bridge	2000MΩ
Excitation recommended	10V
Safe overload	120% R.C.
Cable length	Ø5 4core cable, 4m

## >DIMENSIONS TABLE

unit:mm

Capacity	A	B	C	D	E	F
10kgf, 20kgf, 50kgf	27	18	65	10	6.6	8.1
100kgf, 200kgf, 300kgf	25	20	65	10	8.4	10.1

★ Specifications are subject to change without notice.