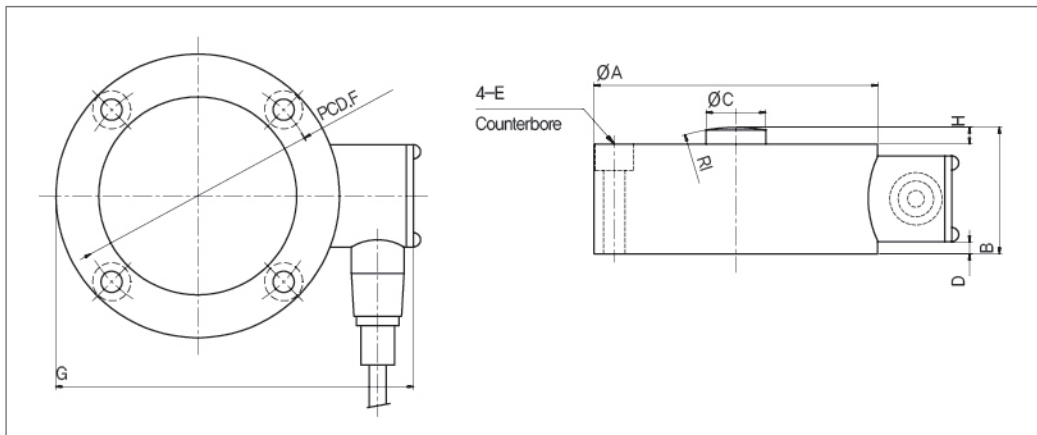


Low Profile Compression Load Cell

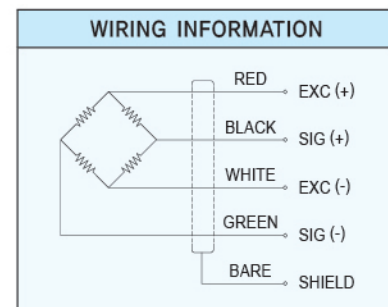
> Model CL63

Low Profile Compression Service Load Cell,
Hopper, Tank Weighing
CL : Protection Class IP67



> SPECIFICATIONS

Specifications	Accuracy
Rated capacity(R.C)	500kgf, 1tf, 2tf, 5tf, 10tf, 15tf, 20tf, 30tf, 50tf, 100tf
Rated output(R.O)	2.0mV/V \pm 0.1%
Nonlinearity	0.05% of R.O.
Hysteresis	0.05% of R.O.
Repeatability	0.03% of R.O.
Zero balance	\pm 2% of R.O.
Temperature effect on rated output	0.05% of LOAD/10 $^{\circ}$ C
Temperature effect on zero balance	0.03% of R.O./10 $^{\circ}$ C
Temperature range, compensated	-10 $^{\circ}$ C to 60 $^{\circ}$ C
Temperature range, safe	-20 $^{\circ}$ C to 80 $^{\circ}$ C
Terminal resistance, input	700 Ω \pm 30 Ω
Terminal resistance, output	700 Ω \pm 3 Ω
Insulation resistance bridge	2000M Ω
Excitation recommended	10V
Safe overload	150% R.C.
Cable length	\varnothing 7mm, 4core, 3m



> DIMENSIONS TABLE

unit:mm

Model	$\varnothing A$	B	$\varnothing C$	D	E	PCD. F	G	H	RI
500kgf	88	28	16	0.5	M6	73	119	5	60
1tf	88	28	16	0.5	M6	73	119	5	60
2tf	104	44	22	1.5	M8	86	135	7	60
5tf	104	44	22	1.5	M8	86	135	7	60
10tf	119	53	25	1.5	M8	102	150	7	80
15tf	144	65	45	7	M10	118	175	7	100
20tf	144	65	45	7	M10	118	175	7	100
30tf	189	67	55	7	M12	158	220	10	140
50tf	189	67	55	7	M12	158	220	10	140
100tf	226	100	70	23.5	M16	190	257	10	160

★Specifications are subject to change without notice.