

Compression Load Cell

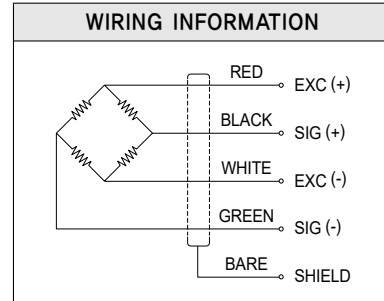
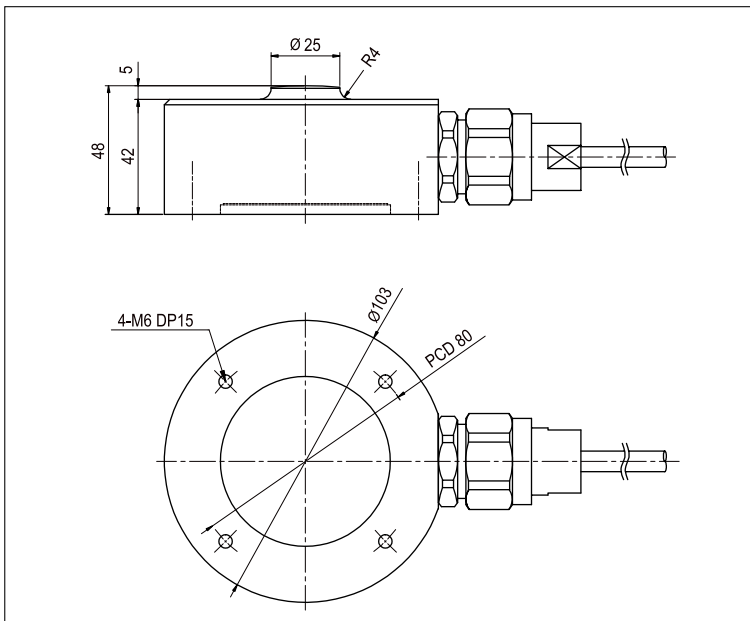
> Model CM96

Compression Load Cell,
 Low profile & Robust design
 KOSHA of the certified explosion-proof type load cell.
 Classification code : Ex d IIB T4.



> DIMENSIONS

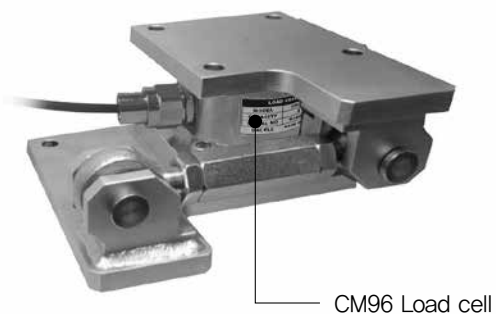
unit:mm



> SPECIFICATIONS

Specifications	Accuracy
Rated capacity(R.C)	2tf, 3tf, 5tf, 10tf, 15tf, 20tf
Rated output(R.O)	2.0mV/V±0.25%
Nonlinearity	0.05% of R.O.
Hysteresis	0.05% of R.O.
Repeatability	0.02% of R.O.
Zero balance	±2% of R.O.
Temperature effect on rated output	0.03% of LOAD/10°C
Temperature effect on zero balance	0.03% of R.O./10°C
Temperature range, compensated	-10°C to +50°C
Temperature range, safe	-10°C to +80°C
Terminal resistance, input	700Ω ±20Ω
Terminal resistance, output	700Ω ±10Ω
Insulation resistance bridge	2000MΩ
Excitation recommended	10V
Safe overload	150% R.C.
Cable length	∅5mm, 4core, 3m

> Mounting Kit (CMI-96)



★ Specifications are subject to change without notice.