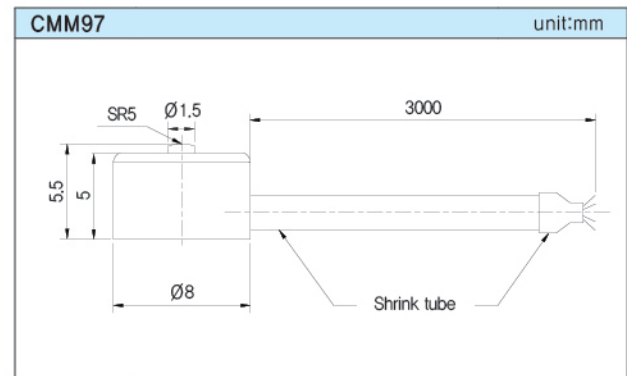
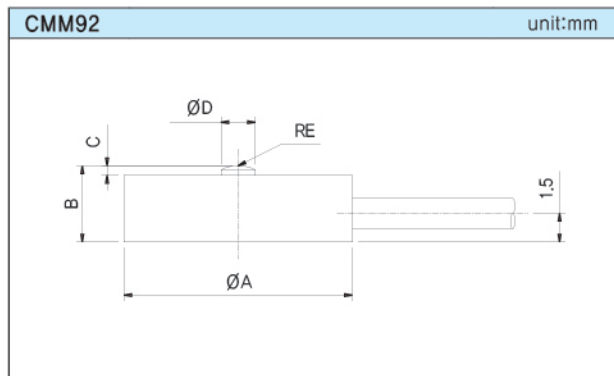
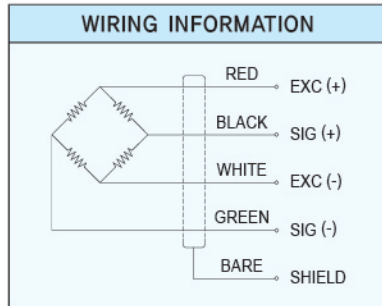
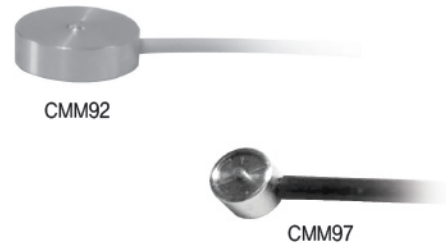
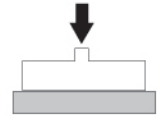


Miniature Compression Load Cells

> Model CMM92, CMM97

Small-Sized Compression Load Cell,
Super compact and lightweight,
Competitive price.



>SPECIFICATIONS

Specifications	Accuracy	
	CMM92	CMM97
Rated capacity(R.C)	1kgf, 2kgf, 5kgf, 10kgf, 20kgf	20kgf ~ 50kgf
Rated output(R.O)	0.5 or more (mV/V)	
Nonlinearity	±1% of R.O.	
Hysteresis	±1% of R.O.	
Repeatability	1% of R.O.	
Zero balance	±2% of R.O.	
Temperature effect on rated output	±2% LOAD/10°C	
Temperature effect on zero balance	±2% R.O./10°C	
Temperature range, compensated	0°C to 40°C	
Temperature range, safe	-10°C to 60°C	
Terminal resistance input, output	350Ω ±2.5%	
Insulation resistance bridge/case	2000MΩ	
Excitation recommended	5V	
Safe overload	120% R.C.	
Material	Aluminum(1kgf, 2kgf)/Stainless steel(5kgf, 10kgf, 20kgf)	Stainless steel
Cable length	Ø1.6mm, 4core, 3m	

>DIMENSIONS TABLE

unit:mm

Capacity	ØA	B	C	ØD	E
1kgf ~ 5kgf	12	4	0.5	1.8	2
10kgf ~ 20kgf	15	4	0.5	2.5	4

★Specifications are subject to change without notice.