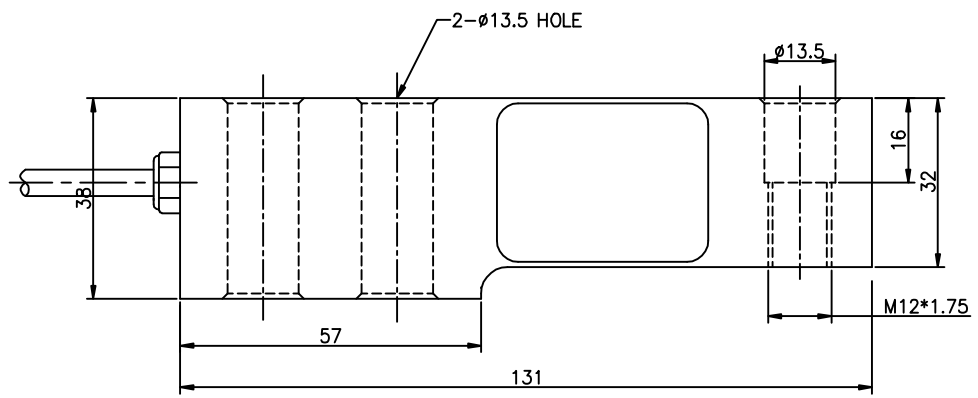
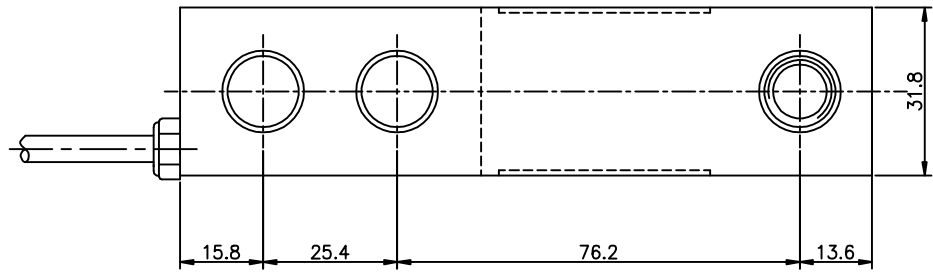


NO	DATE	ZONE	REVISION	CO'T	SIGN
△					

SPECIFICATION	
MODEL	CP106
RATED CAPACITY (R.C.)	1tf
RATED OUTPUT (R.O.)	3.0mV/V ± 0.1%
NON-LINEARITY	0.02% R.O.
HYSTERESIS	0.02% R.O.
REPEATABILITY	0.02% R.O.
ZERO BALANCE	±5% R.O.
TEMP. RANGE COMPENSATED	-10°C~50°C
SAFE TEMPERATURE RANGE	-20°C~80°C
TEMP. EFFECT ON RATED OUTPUT	±0.02%LOAD/10°C
TEMP. EFFECT ON ZERO BALANCE	±0.05%R.O./10°C
RESISTANCE, INPUT	350 Ohm ± 30
RESISTANCE, OUTPUT	350 Ohm ± 3
INSULATION RESISTANCE BRIDGE TO GROUND	2000MΩ
ELECTRICAL CONNECTION	∅5mm x 4C x (80cm , 2.3m)
EXC. RECOMMENDED	10V
SAFE OVERLOAD	150% R.C.



NO	DESCRIPTION	MATERIAL	HEART TREAT	Q'TY	DIMENSIONS	REMARK
CHAMFER <input type="checkbox"/> C 0.1 <input type="checkbox"/> C 0.3 <input checked="" type="checkbox"/> C 0.5 <input type="checkbox"/> C 1		SCALE	ANGLE	DESCRIPTION		
TOLERANCE LIMITS <input checked="" type="checkbox"/> MM <input type="checkbox"/> INCH		1 : 1	1st 3rd	LOAD CELL		
0. ±0.1 0.0 ±0.04 0.0 ±0.05 0.00 ±0.02 0.00 ±0.01 0.000 ±0.004 0.000 ±0.002 0.0000 ±0.0002		DRAWN BY	PLANNED BY	CHECKED BY	APPROVED BY	ORDER.
		JJS				CP106-T1
		2014.04.22				ORDER DWG. NO
				TEL 043-260-2242 FAX 043-260-2245		MAKER DWG. NO
						CP106-1A-T1
						SHEET