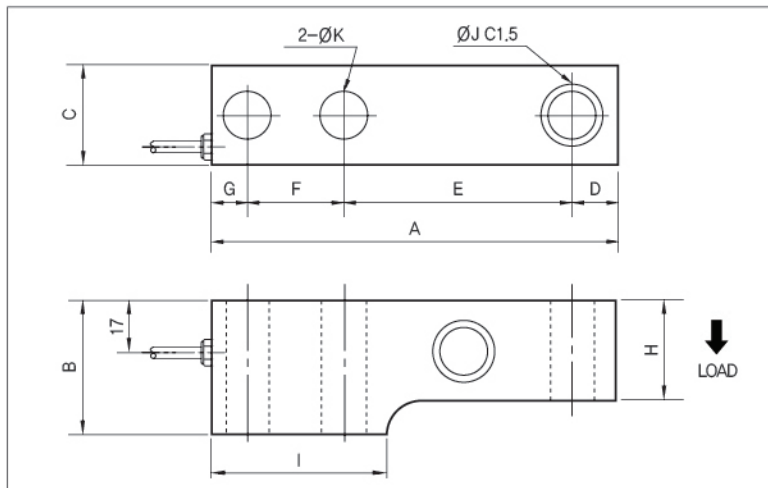


Shear Beam Load Cells

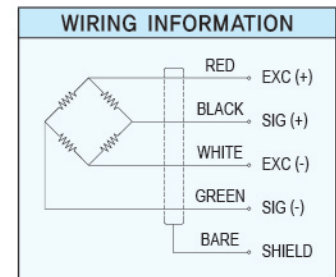
> Model CP57

Single ended shear beam load cell
high accuracy platform scales and a variety of process weighing applications.
Nickel plated Alloy steel



> Model CPS

- Shear beam loadcell with a high accuracy of 0.03% R.O.
- Platform and Tank scale weighing.
- Protection Class IP67
- Fully welded seal with stainless steel cover for hostile environment applications.
- 17-4PH stainless steel construction for high accuracy.



>SPECIFICATIONS

Specifications	Accuracy
Rated capacity(R,C)	500kgf, 1tf, 2tf, 3tf, 5tf, 10tf
Rated output(R,O)	2mV/V±0.1%
Nonlinearity	0.02% of R.O.
Hysteresis	0.02% of R.O.
Repeatability	0.02% of R.O.
Creep(20min)	0.03% of R.O.
Zero balance	±5% of R.O.
Temperature effect on rated output	0.02% of LOAD/10°C
Temperature effect on zero balance	0.05% of R.O./10°C
Temperature range, compensated	-10°C to 50°C
Temperature range, safe	-20°C to 80°C
Terminal resistance, input	350±30Ω
Terminal resistance, output	350±3Ω
Insulation resistance bridge	2000MΩ
Excitation recommended	10V
Safe overload	150% R.C.
Cable length	Ø5±0.3mm 4core, 3m

>SPECIFICATIONS

Specifications	Accuracy
Rated capacity(R,C)	500kgf, 1tf, 2tf, 3tf, 5tf, 9tf, 10tf, 12tf
Rated output(R,O)	2mV/V±0.1%
Nonlinearity	0.03% of R.O.
Hysteresis	0.03% of R.O.
Repeatability	0.03% of R.O.
Creep(20min)	0.03% of R.O.
Zero balance	±5% of R.O.
Temperature effect on rated output	0.02% of LOAD/10°C
Temperature effect on zero balance	0.05% of R.O./10°C
Temperature range, compensated	-10°C to 50°C
Temperature range, safe	-20°C to 80°C
Terminal resistance, input	350±30Ω
Terminal resistance, output	350±3Ω
Insulation resistance bridge	2000MΩ
Excitation recommended	10V
Safe overload	150% R.C.
Cable length	Ø5±0.3mm 4core, 3m

>DIMENSIONS TABLE

Model	Capacity	A	B	C	D	E	F	G	H	I	ØJ	ØK	Weight(kg)
CPS	500kgf~2tf (4,903kN~19,61kN)	135	38	30	17	75	25	18	34	58	13.5	13.5	1.1
	3tf~5tf (29,42kN~49,03kN)	170	48	38	20	85	50	15	39	79	18	18.5	2.3
	9tf (88,26kN)	200	52	56	20	95	62	23	44	110	21	24.5	5
	10tf~12tf (98,07kN~117,1kN)	263	60	60	30	118	90	25	52	143	26	26	9
CP57	500kgf~2tf(4,90kN~19,61kN)	131	38	30	12.7	76.2	25.4	16.7	34	57	13.5	13.5	1.1
	3tf~5tf(29,42kN~49,03kN)	171	44.5	38	19	95	38	19	38	76.2	20.5	20	2.3
	10tf(98,07kN)	222.3	57.2	50.8	25.4	120.7	50.8	25.4	50.8	108	26.2	26.2	9

★ Specifications are subject to change without notice.