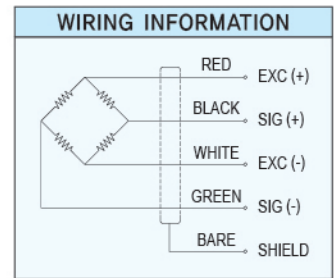
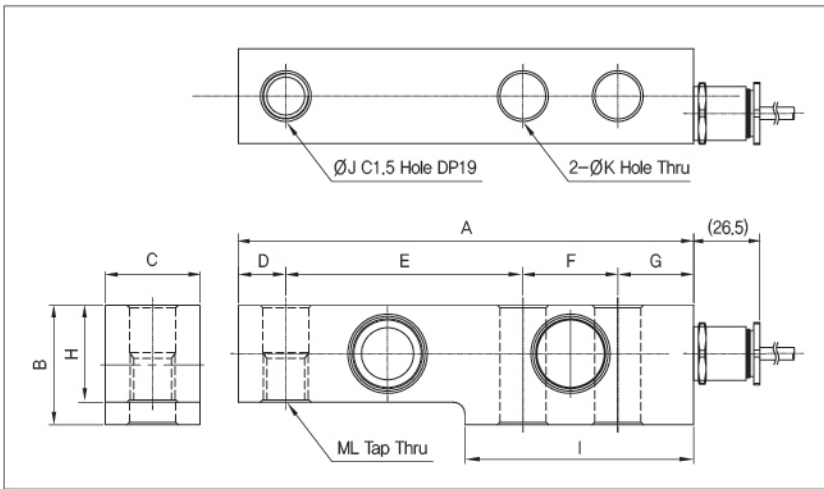


# Explosion Proof / Shear Beam Load cell

## > Model CPS-Ex

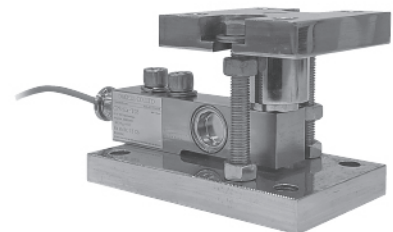
International Explosion Proof Certified Load Cells (IECEEx).  
 Explosion proof level : Ex db IIC T6 Gb  
 high-precision grade  
 Material : Stainless steel



## > SPECIFICATIONS

Specifications	Accuracy
Rated capacity(R.C)	500kgf, 1tf, 2tf, 3tf, 5tf
Rated output(R.O)	2.0mV/V±10%
Nonlinearity	0.03% of R.O.
Hysteresis	0.03% of R.O.
Repeatability	0.03% of R.O.
Zero balance	±5% of R.O.
Temperature effect on rated output	0.02% of LOAD/10°C
Temperature effect on zero balance	0.05% of R.O./10°C
Temperature range, compensated	-10°C to 40°C
Temperature range, safe	-20°C to 70°C
Terminal resistance, input	350±30Ω
Terminal resistance, output	350±5Ω
Insulation resistance bridge	2000MΩ
Excitation recommended	10V
Safe overload	150% R.C.
Cable length	Ø7 4core cable, 3m

## > Weighing Module CPB52-Ex



- Option : 1. Steel
- 2. Stainless steel

## > DIMENSIONS TABLE

Capacity	A	B	C	D	E	F	G	H	I	ØJ	ØK	L
500kgf~2tf (4,903kN~19,61kN)	143	37	30	12.7	76.1	25.4	28.8	33	65.3	13.5	13.5	12×1.75P
3tf (29,42kN)	183	48	38	19.1	95.3	38.1	30.5	39	92.0	18.5	18.5	18×1.5P
5tf (49,03kN)	183	48	38	19.1	95.3	38.1	30.5	39	92.0	20.5	20.5	20×2.5P

★Specifications are subject to change without notice.



# IECEX Certificate of Conformity

## INTERNATIONAL ELECTROTECHNICAL COMMISSION IEC Certification System for Explosive Atmospheres

for rules and details of the IECEx Scheme visit [www.iecex.com](http://www.iecex.com)

Certificate No.: **IECEX KTL 23.0019X** Page 1 of 3 [Certificate history:](#)

Status: **Current** Issue No: 0

Date of Issue: 2023-09-27

Applicant: **Dacell Co., Ltd.**  
37-9, Cheoksan 5-gil, Nami-myeon, Seowon-gu, Cheongju-si  
Chungcheongbuk-do 28182  
**Korea, Republic of**

Equipment: **Load cell, "CPS-EX-T\*\*"**

Optional accessory:

Type of Protection: **Flameproof enclosure "d"**

Marking: Ex db IIC T6 Gb

Approved for issue on behalf of the IECEx  
Certification Body:

**Park, Jong-koo**

Position:

**Certification Manager**

Signature:  
(for printed version)

Date:  
(for printed version)

1. This certificate and schedule may only be reproduced in full.
2. This certificate is not transferable and remains the property of the issuing body.
3. The Status and authenticity of this certificate may be verified by visiting [www.iecex.com](http://www.iecex.com) or use of this QR Code.



Certificate issued by:

**Korea Testing Laboratory**  
87, Digital-ro, 26-gil, Guro-gu  
Seoul  
**Korea, Republic of**





# IECEX Certificate of Conformity

Certificate No.: **IECEX KTL 23.0019X**

Page 2 of 3

Date of issue: 2023-09-27

Issue No: 0

Manufacturer: **Dacell Co., Ltd.**  
37-9, Cheoksan 5-gil, Nami-myeon, Seowon-gu, Cheongju-si  
Chungcheongbuk-do 28182  
**Korea, Republic of**

Manufacturing  
locations:

This certificate is issued as verification that a sample(s), representative of production, was assessed and tested and found to comply with the IEC Standard list below and that the manufacturer's quality system, relating to the Ex products covered by this certificate, was assessed and found to comply with the IECEX Quality system requirements. This certificate is granted subject to the conditions as set out in IECEX Scheme Rules, IECEX 02 and Operational Documents as amended

## STANDARDS :

The equipment and any acceptable variations to it specified in the schedule of this certificate and the identified documents, was found to comply with the following standards

[IEC 60079-0:2017](#) Explosive atmospheres - Part 0: Equipment - General requirements  
Edition:7.0

[IEC 60079-1:2014](#) Explosive atmospheres - Part 1: Equipment protection by flameproof enclosures "d"  
Edition:7.0

This Certificate **does not** indicate compliance with safety and performance requirements other than those expressly included in the Standards listed above.

## TEST & ASSESSMENT REPORTS:

A sample(s) of the equipment listed has successfully met the examination and test requirements as recorded in:

Test Report:

[KR/KTL/ExTR23.0038/00](#)

Quality Assessment Report:

[KR/KTL/QAR23.0003/00](#)



# IECEX Certificate of Conformity

Certificate No.: **IECEX KTL 23.0019X**

Page 3 of 3

Date of issue: 2023-09-27

Issue No: 0

## EQUIPMENT:

Equipment and systems covered by this Certificate are as follows:

Load cell, CPS-Ex-T\*\*, can be used in hazardous areas where potentially an explosive atmosphere may be present and can be used in Zone 1 areas with gases in group IIC.

The equipment provides a degree of protection IP66 in accordance with IEC 60529.

The equipment includes a cable gland as below and a permanently connected cable.

- Cable gland, A2F, Samwha Electric Company,

- IECEX BAS 11.0061X, Ex d IIC Gb/ Ex eb IIC Gb(IEC 60079-0:2011, IEC 60079-1:2007, and IEC 60079-7:2006), -20 °C to +80 °C, IP66
- No applicable Technical Differences as above standards to employ the equipment.

## Thermal data

Ambient temperature: -20 °C to +70 °C

## Electrical data

Rated voltage: (0-10) Vdc

## Model configuration

CPS-Ex-T(aa)

- (aa, Capacity): 0.5(500 kg), 1(1000 kg), 2(2000 kg), 3(3000 kg), 5(5000 kg)

## SPECIFIC CONDITIONS OF USE: YES as shown below:

For information on the dimensions of the flameproof joints, the manufacturer shall be contacted.

For the equipment with a permanently connected cable, the user shall connect the free extremity of the cable either in a non-explosive atmosphere or in an enclosure protected by a recognized protection mode adapted to the area.