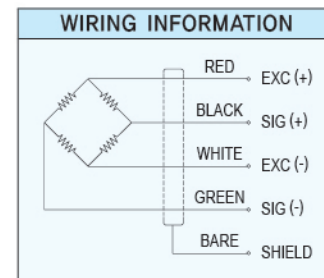
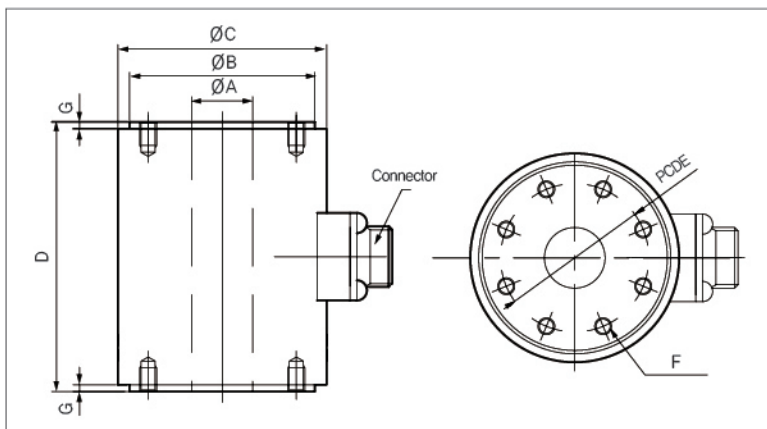
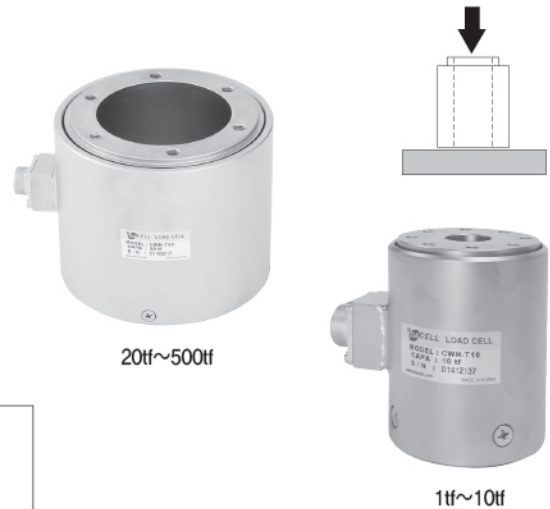


Hollow Type Load Cell

> Model CWH

Easy installation with hole in center.
Designed for use in civil engineering measurement, these loads on tunnel supports and soil pressure on protective Walls to aid control in construction projects. Protection Class IP64



>SPECIFICATIONS

Specifications	Accuracy
Rated capacity(R.C)	500kgf, 1tf, 2tf, 3tf, 5tf, 10tf, 20tf, 50tf, 100tf, 200tf, 300tf, 500tf
Rated output(R.O)	1mV/V±0.4%
Nonlinearity	1% of R.O.
Hysteresis	1% of R.O.
Repeatability	0.2% of R.O.
Zero balance	±2% of R.O.
Temperature effect on rated output	0.05% of LOAD/10°C
Temperature effect on zero balance	0.1% of R.O./10°C
Temperature range, compensated	-10°C to 60°C
Temperature range, safe	-20°C to 80°C
Terminal resistance, input	700±50Ω (500kg : 350Ω)
Terminal resistance, output	700±5Ω (500kg : 350Ω)
Insulation resistance bridge/case	2000MΩ
Excitation recommended	10V
Safe overload	150% R.C.
Cable length	Ø7mm, 4core, 3m

>DIMENSIONS TABLE

unit:mm

Capacity	ØA	ØB	ØC	D	E	F	G	Weight(kg)
500kgf (490.3kN)	10	24	40	50	18	2×4-M4 DP10	1	0.5
1tf (9.807kN)	18	55	62	70	44	2×8-M5 DP10	2	1
2tf (19.61kN)	18	55	62	70	44	2×8-M5 DP10	2	1
3tf (29.42kN)	18	55	62	70	44	2×8-M5 DP10	2	1
5tf (49.03kN)	18	55	62	70	44	2×8-M5 DP10	2	1
10tf (98.07kN)	18	55	62	80	44	2×8-M5 DP10	2	1.3
20tf (196.1kN)	43	68	96	80	56	2×8-M6 DP10	3	3
50tf (490.3kN)	80	112	130	110	96	2×6-M8 DP10	3	11
100tf (980.7kN)	85	118	158	110	102	2×6-M12 DP10	3	13
200tf (1.961MN)	120	162	240	120	140	2×6-M12 DP12	3	25
300tf (2.942MN)	120	179	240	120	150	2×6-M12 DP15	3	26
500tf (4.903MN)	150	227	265	200	190	2×12-M16 DP15	8	30

★Specifications are subject to change without notice.