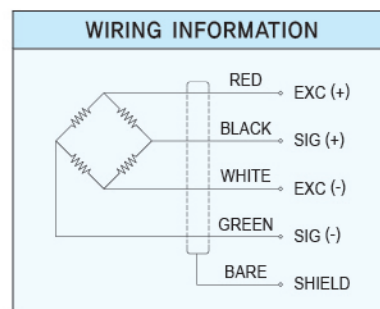
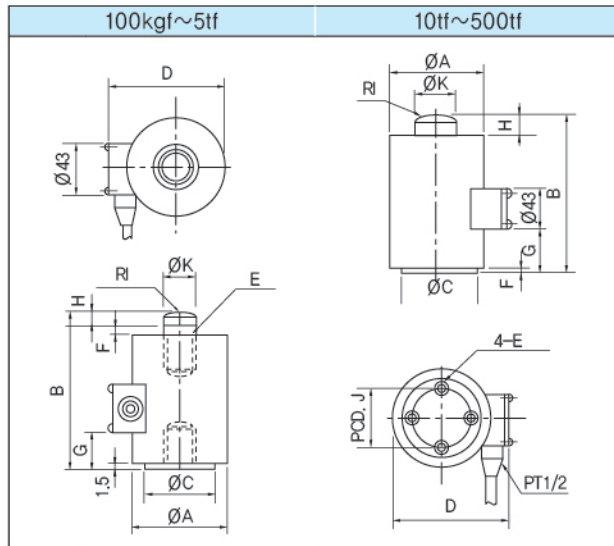
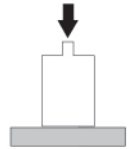


Compression Load Cells

> Model CX

High Precision Accuracy Compression Service, Hopper, Tank Weighing,
Protection Class IP67



> SPECIFICATIONS

Specifications	Accuracy	
	CXH	CX
Rated capacity(R.C)	1tf, 2tf, 3tf, 5tf, 10tf, 20tf	100kgf, 200kgf, 500kgf, 1tf, 2tf, 5tf, 10tf, 20tf, 30tf, 50tf, 100tf, 200tf, 300tf, 500tf, 1000tf
Rated output(R.O)	2.0mV/V±0.1%	2.0mV/V±0.1(50tf~500tf : 1.5mV/V±0.1%)
Nonlinearity	0.02% of R.O.	≤ 0.1% of R.O. (200, 300, 500tf, 1000tf : 0.5% of R.O.)
Hysteresis	0.02% of R.O.	≤ 0.1% of R.O. (200, 300, 500tf, 1000tf : 0.5% of R.O.)
Repeatability	0.02% of R.O.	≤ 0.1% of R.O.
Zero balance	±1% of R.O.	±1% of R.O.
Temperature effect on rated output	0.03% LOAD/10°C	0.1% LOAD/10°C
Temperature effect on zero balance	0.03% R.O./10°C	0.1% R.O./10°C
Temperature range, compensated	-10~60°C	-10~60°C
Temperature range, safe	-20~80°C	-20~80°C
Terminal resistance, input	350±5Ω	350±5Ω
Terminal resistance, output	350±5Ω	350±5Ω
Insulation resistance bridge/case	2000MΩ	2000MΩ
Excitation recommended	10V	10V
Safe overload	150% R.C.	150% R.C.
Cable length	∅7mm, 4 Core, 3m	∅7mm, 4 Core, 3m

> DIMENSIONS TABLE

unit:mm

Capacity	∅A	B	∅C	D	E	F	G	H	Ri	J	∅K	Weight(kg)
100kgf~1tf (980N~9.807kN)	88	107	50	118	M12×1.25 DP15	4	25	9	25	—	24	3
2tf (19.61kN)	88	150	66	118	M24×2 DP30	5	42	20	60	—	42	4.5
3tf (29.42kN)	88	150	66	118	M24×2 DP30	5	42	20	60	—	42	4.5
5tf (49.03kN)	88	150	66	118	M24×2 DP30	5	42	20	60	—	42	4.5
10tf (98.07kN)	93	127	80	129	M12×1.75 DP20	2	42	15	140	60	38	5
20tf (196.1kN)	93	147	80	129	M12×1.75 DP20	2	50	15	140	60	38	5.5
30tf (294.2kN)	93	147	80	129	M12×1.75 DP20	2	50	15	140	60	38	5.5
50tf (490.3kN)	137	165	110	170	M12×1.75 DP20	2	75	20	180	80	50	10
100tf (980.7kN)	166	210	140	198	M16×2 DP20	2	100	20	200	100	70	28
200tf (1.961MN)	216	250	180	246	M16×2 DP25	2	120	30	300	130	95	45
300tf (2.942MN)	216	320	180	246	M24×3 DP35	2	160	30	600	130	120	50
500tf (4.903MN)	256	400	238	283	M30×3.5 DP50	7	200	20	800	200	170	65
1000tf (9.807MN)	295	385	270	247	M24×3 DP35	5	170	25	800	200	220	140

★Specifications are subject to change without notice.