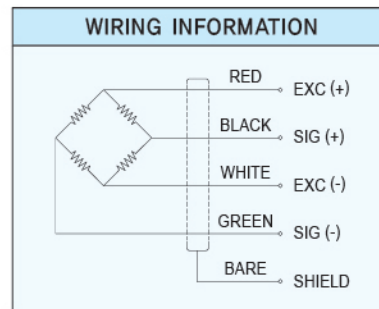
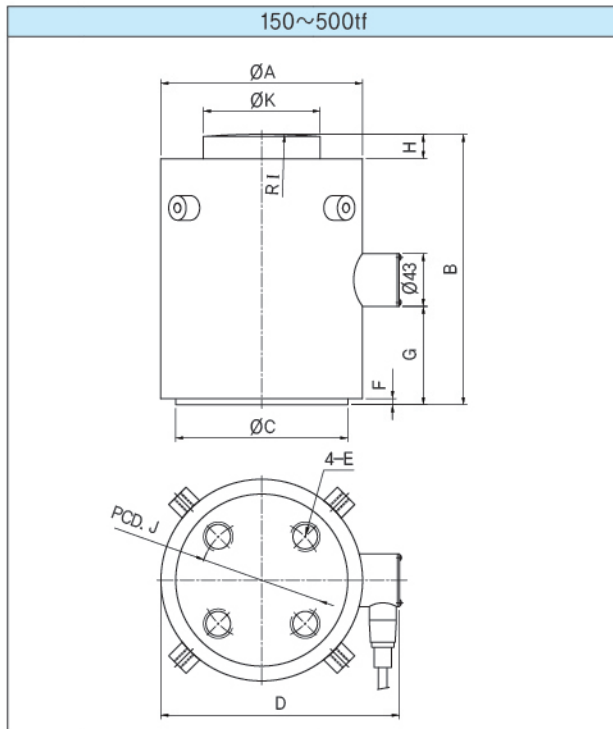
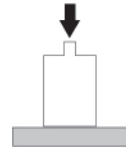


# Compression Load Cells

## > Model CX77

High Precision Accuracy Compression Service, Hopper,  
Tank Weighing.  
Nikel planted steel



## > SPECIFICATIONS

Specifications	Accuracy
Rated capacity(R.C)	150tf, 200tf, 300tf, 500tf
Rated output(R.O)	1.5mV/V $\pm$ 0.1%
Nonlinearity	$\leq$ 0.3% of R.O.
Hysteresis	$\leq$ 0.3% of R.O.
Repeatability	$\leq$ 0.1% of R.O.
Zero balance	$\pm$ 1% of R.O.
Temperature effect on rated output	0.1% LOAD/10 $^{\circ}$ C
Temperature effect on zero balance	0.1% R.O./10 $^{\circ}$ C
Temperature range, compensated	-10 $\sim$ 60 $^{\circ}$ C
Temperature range, safe	-20 $\sim$ 80 $^{\circ}$ C
Terminal resistance, input	350 $\pm$ 5 $\Omega$
Terminal resistance, output	350 $\pm$ 5 $\Omega$
Insulation resistance bridge/case	2000M $\Omega$
Excitation recommended	10V
Safe overload	150% R.C.
Cable length	$\varnothing$ 7mm, 4 Core, 3m

## > DIMENSIONS TABLE

unit:mm

Capacity	$\varnothing A$	B	$\varnothing C$	D	E	F	G	H	Ri	J	$\varnothing K$	Weight(kg)
150tf (1.530MN)	166	220	140	194	M20 $\times$ 2.5 DP30	5	80	20	600	100	95	29
200tf (1.961MN)	164	220	140	194	M20 $\times$ 2.5 DP30	5	80	20	600	100	95	29
300tf (2.942MN)	164	250	140	194	M24 $\times$ 3 DP35	5	94	20	600	100	95	30
500tf (4.903MN)	217	270	170	247	M24 $\times$ 3 DP35	7	125	25	600	130	120	55

★ Specifications are subject to change without notice.