



This is I.T. Co., Ltd.

1878 Moo 1 Soi Bearing 44 Sukhumvit 107 Rd.

T.Samrongnua A.Muang Samutprakarn Thailand 10270

Hot Line: 091-095-8123 Site: [www.thisisit.co.th](http://www.thisisit.co.th) E-mail: [sales@thisisit.co.th](mailto:sales@thisisit.co.th)

# DBS – HIGH ACCURACY and LOW COST LOAD CELL

## Features

- High accuracy. High output. For versatile applications.
- Small size. Light weight. Low cost.
- Ensuring high stability through special humidity-proof treatment.
- For both tension and compression applications.
- Applications: Weighing devices in hoppers or packers. Testing machines or industrial machines.



## Specifications

<b>Safe Overload</b>	150%RC
<b>Rated Output</b>	3mV/V±1%
<b>Nonlinearity</b>	0.05%RO
<b>Hysteresis</b>	0.05%RO
<b>Repeatability</b>	0.03%RO
<b>Excitation Voltage</b>	12V (or less)
<b>Safe Excitation Voltage</b>	20V
<b>Input Resistance</b>	350Ω
<b>Output Resistance</b>	350Ω
<b>Compensated Temp.Range</b>	-10 to 60°C
<b>Safe Temp.Range</b>	-30 to 80°C
<b>Temp.Effect on Zero</b>	0.005%RO/°C
<b>Temp.Effect on Output</b>	0.005%/°C
<b>Connector (on body)</b>	Φ6mm-4wire shielded cable, length: 5m

- Load cells of this Model can also be applied to a compression use although Model DBS load cells of standard version are supplied with a calibration sheet treating data to tension direction only. We can say from our back data of this Model that its compression sensitivity and tension sensitivity are almost the same each other, namely, within 0.2%, but we can willingly effect a compression load test with this Model whenever necessary on extra cost.



**Micro Sensor Technology**

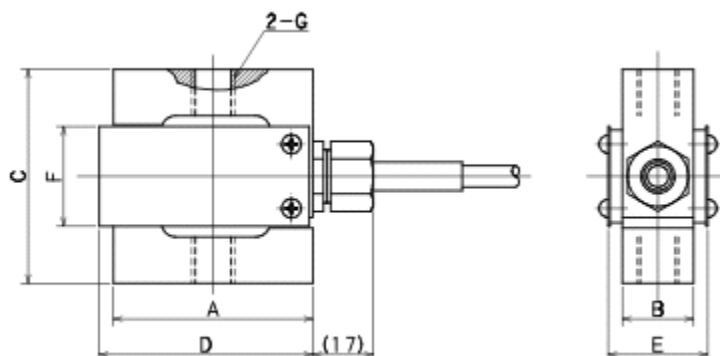
SHOWA MEASURING INSTRUMENTS INC.

Tokyo Japan



This is I.T. Co., Ltd.  
 1878 Moo 1 Soi Bearing 44 Sukhumvit 107 Rd.  
 T.Samrongnua A.Muang Samutprakarn Thailand 10270  
 Hot Line: 091-095-8123 Site: [www.thisisit.co.th](http://www.thisisit.co.th) E-mail: [sales@thisisit.co.th](mailto:sales@thisisit.co.th)

## Appearance Dimensions



Model and Capacity / Dimension / etc. (unit : mm)

Model	Capacity	A	B	C	D	E	F	G	Natural frequency	Weight
DBS-200N	200N	56	20	60	60	28	28	M6*1,12 deep	0.6kHz	0.3KG
DBS-500N	500N	56	20	60	60	28	28	M6*1,12 deep	1.2kHz	0.3KG
DBS-1KN	1kN	56	20	60	60	28	28	M6*1,12 deep	1.0kHz	0.3KG
DBS-2KN	2kN	56	20	70	60	28	28	M12*1.75,16 deep	1.5kHz	0.35KG
DBS-5KN	5kN	56	20	70	60	28	28	M12*1.75,16 deep	2.7kHz	0.5KG
DBS-10KN	10kN	56	20	70	60	28	28	M12*1.75,16 deep	2.3kHz	0.5KG
DBS-20KN	20kN	70	25	90	74	33	34	M16*2,20 deep	2.2kHz	1.6KG
DBS-50KN	50kN	100	38	115	104	46	52	M24*2,24 deep	2.0kHz	2.8KG



**Micro Sensor Technology**

SHOWA MEASURING INSTRUMENTS INC.

Tokyo Japan