



This is I.T. Co., Ltd.

1878 Moo 1 Soi Bearing 44 Sukhumvit 107 Rd.

T.Samrongnua A.Muang Samutprakarn Thailand 10270

Hot Line: 091-095-8123 Site: www.thisisit.co.th E-mail: sales@thisisit.co.th

DBU – HIGH ACCURACY LOAD CELL

Features

- High accuracy. Filled with inactive gases.
- Built-in mechanisms that are hard to receive effects from atmospheric pressures.
- Complying with remote-sensing requirement (by 6-conductor shielded cable).
- Can be used as a load cell for the standardizing purposes.
- Supplied with an inspection data sheet to both tension and compression directions.
- Accuracy: 0.02%.



Specifications

Safe Overload	150%RC
Rated Output	2mV/V±1%
Nonlinearity	0.02% RO
Hysteresis	0.02% RO
Repeatability	0.01% RO
Excitation Voltage	12V (or less)
Safe Excitation Voltage	20V
Input Resistance	350Ω
Output Resistance	350Ω
Compensated Temp.Range	-10 to 60°C
Safe Temp.Range	-30 to 80°C
Temp.Effect on Zero	0.002%RO/°C
Temp.Effect on Output	0.002%/°C
Connector (on body)	Φ8mm-6wire shielded cable, length: 5m



Micro Sensor Technology

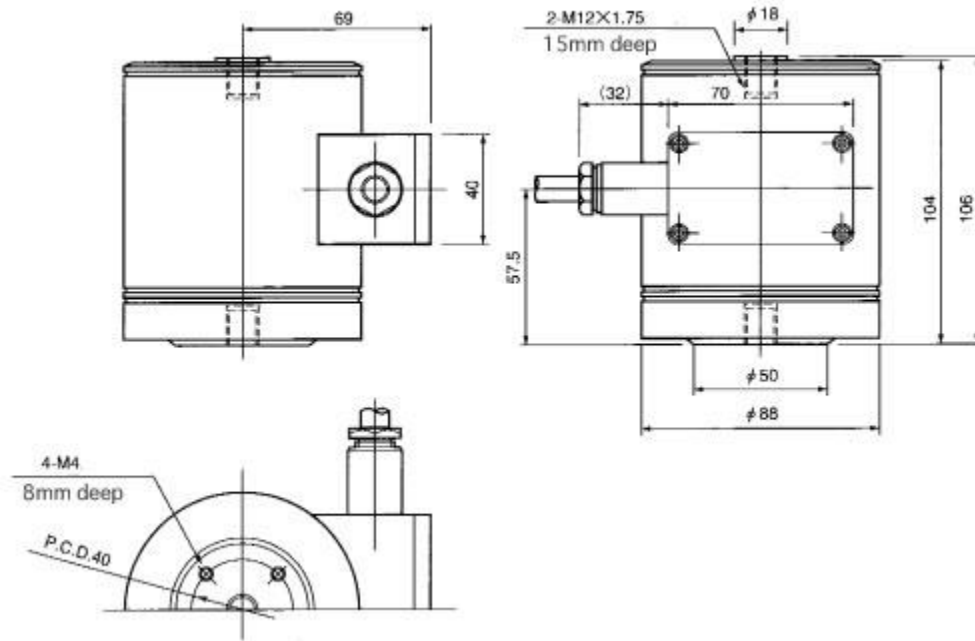
SHOWA MEASURING INSTRUMENTS INC.

Tokyo Japan



This is I.T. Co., Ltd.
 1878 Moo 1 Soi Bearing 44 Sukhumvit 107 Rd.
 T.Samrongnua A.Muang Samutprakarn Thailand 10270
 Hot Line: 091-095-8123 Site: www.thisisit.co.th E-mail: sales@thisisit.co.th

Appearance Dimensions



Model and Capacity / Dimension / etc. (unit : mm)

Model	Capacity	Natural frequency	Weight
DBU-50N	50N	0.18kHz	3kg
DBU-100N	100N	0.27kHz	3kg
DBU-200N	200N	0.41kHz	3kg
DBU-500N	500N	0.75kHz	3kg
DBU-1KN	1kN	0.77kHz	3kg
DBU-2KN	2kN	1.6kHz	3kg
DBU-5KN	5kN	2.0kHz	3kg



Micro Sensor Technology

SHOWA MEASURING INSTRUMENTS INC.

Tokyo Japan