



This is I.T. Co., Ltd.

1878 Moo 1 Soi Bearing 44 Sukhumvit 107 Rd.

T.Samrongnua A.Muang Samutprakarn Thailand 10270

Hot Line: 091-095-8123 Site: www.thisisit.co.th E-mail: sales@thisisit.co.th

DB – HIGH ACCURACY LOAD CELL

Features

- High accuracy. High output. For versatile applications.
- Small size. Light weight. Low cost.
- Ensuring high stability through special humidity-proof treatment.
- Both for tension and compression applications.
- Applications: Weighing devices in hoppers or packers. Testing machines or industrial machines.
- Accuracy class: 0.02%



Specifications

Safe Overload	150%RC
Rated Output	3mV/V±1%
Nonlinearity	0.02%RO
Hysteresis	0.02%RO
Repeatability	0.01%RO
Excitation Voltage	12V (or less)
Safe Excitation Voltage	20V
Input Resistance	350Ω
Output Resistance	350Ω
Compensated Temp.Range	-10 to 60°C
Safe Temp.Range	-30 to 80°C
Temp.Effect on Zero	0.002%RO/°C
Temp.Effect on Output	0.002%/°C
Connector (on body)	Φ6mm-4wire shielded cable, length: 5m

- Load cells of this Model can also be applied to a compression use although Model DB load cells of standard version are supplied with a calibration sheet treating data to tension direction only. We can say from our back data of this Model that its compression sensitivity and tension sensitivity are almost the same each other, namely, within 0.2%, but we can willingly effect a compression load test with this Model whenever necessary on extra cost.



Micro Sensor Technology

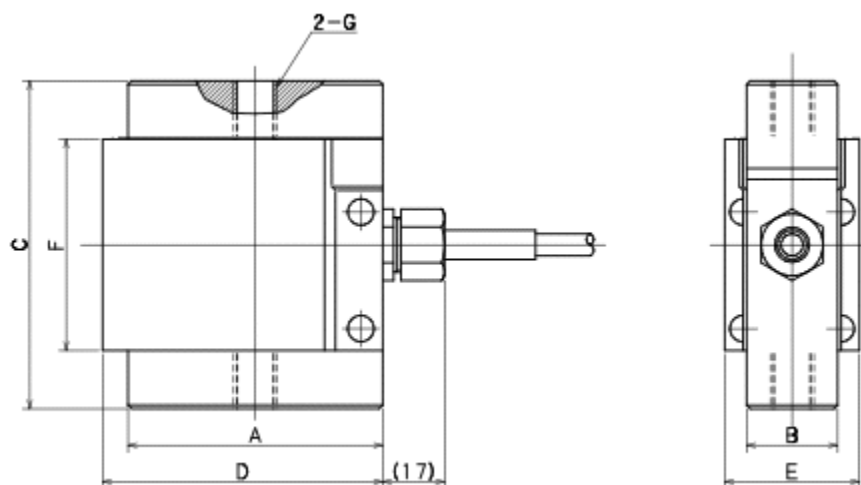
SHOWA MEASURING INSTRUMENTS INC.

Tokyo Japan



This is I.T. Co., Ltd.
 1878 Moo 1 Soi Bearing 44 Sukhumvit 107 Rd.
 T.Samrongnua A.Muang Samutprakarn Thailand 10270
 Hot Line: 091-095-8123 Site: www.thisisit.co.th E-mail: sales@thisisit.co.th

Appearance Dimensions



Model and Capacity / Dimension / etc. (unit : mm)

Model	Capacity	A	B	C	D	E	F	G	Natural frequency	Weight
DB-200N	200N	70	25	90	77	37	58	M12*1.75,18 deep	0.39kHz	0.4kg
DB-500N	500N	70	25	90	77	37	58	M12*1.75,18 deep	0.37kHz	0.4kg
DB-1KN	1kN	70	25	90	77	37	58	M12*1.75,18 deep	0.49kHz	0.4kg
DB-2KN	2kN	70	25	90	77	37	58	M12*1.75,18 deep	0.91kHz	0.4kg
DB-5KN	5kN	70	25	90	77	37	58	M12*1.75,18 deep	1.5kHz	1.0kg
DB-10KN	10kN	80	30	108	87	42	71	M16*2,20 deep	1.9kHz	1.6kg
DB-20KN	20kN	80	30	108	87	42	71	M16*2,20 deep	3.3kHz	1.6kg



Micro Sensor Technology

SHOWA MEASURING INSTRUMENTS INC.

Tokyo Japan