

Mini Indicator

> Model DN-70

DN-70 have designed specifically to operate with strain gauge sensors such as Fast-measurement of Load cell, torque sensor etc.



>SPECIFICATIONS

Specifications	Accuracy
Application sensor	Strain Gauge sensor
Sensor authorized voltage	DC 5V
Zero adjustment range	100% F.S (Auto Zero)
Input signal	0.5 ~ 3mV/V
Display	-19999 ~ +99999
Character height	7 segment LED 5 Digit (8.0mm)
AD converter	24bit 200 times /sec
DA converter	16 bit
Sensitivity variation	±10ppm/°C
Analog output	DC 0 ~ ±10V or 4 ~ 20mA (Selective use)
Relay output	Contact capacity : 250VAC/3VDC 3A Relay life time : Over 10 ⁷ , Over 10 ⁵ under the rated load)
Usage temperature range	-10°C to 60°C
Humidity	Less than 80% RH (no dewing.)
Power source used	DC 24V 0.2A
Sizes	48×48×128mm
Panel cutting size	45,5×45,5mm
Weight	About 280g

■ Feature

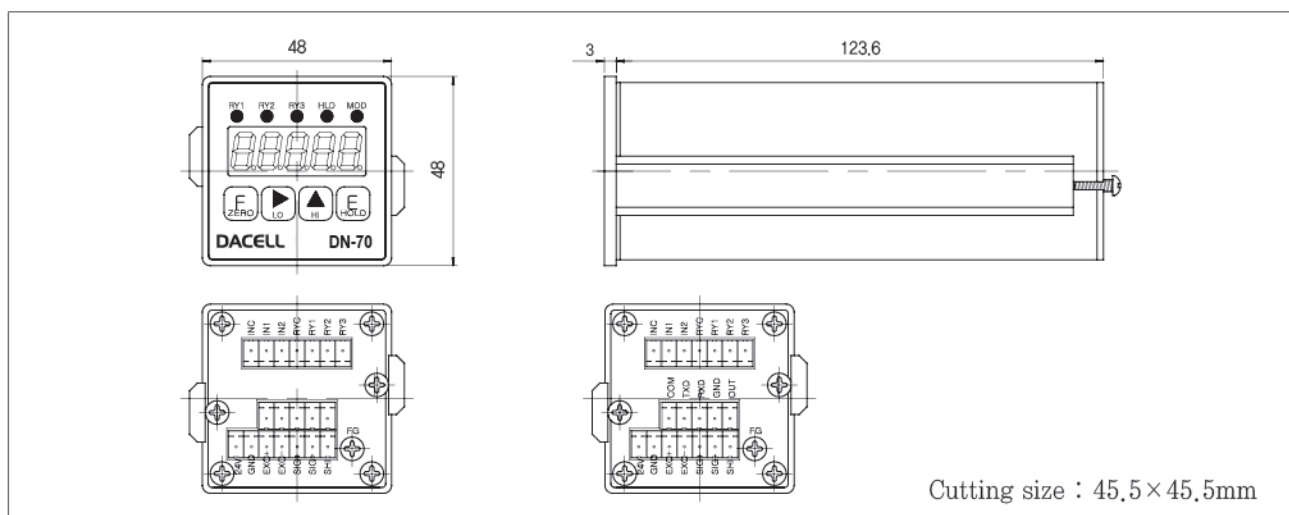
- Miniature indicator
- High resolving power (24bit A/D)
- Sampling speed (200times/sec)
- 3 Relay output
- Peak & sample hold
- Display part and analogue zero by auto zero (DAC)
- Watch dog
- Power Input 24V
- Weight : about 280g
- Modbus RTU Protocol Basic Installation
- RS232C interface
- Small size : 48×48×128mm
- Cutting size : 45,5×45,5mm

■ Option

- OP-02 : RS232(Basic Installation)
- OP-03 : RS485
- Op-06 : Analog out (DAC)
(Basic Installation)

>DIMENSIONS

unit:mm



★ Specifications are subject to change without notice.