

# Web Tension Indicator (2ch+Total)

## > Model DN300

The DN-300 is 2ch indicator that displays the sensor values individually and sums.  
 DN-300 can be compared (summed, subtracted) using two sensors.  
 Analog and contact output for each channel and for the sum individually.

- High resolution (24bit ADC, 16bit DAC)
- High precision (more than 0.01% F.S) and stability
- Calibration of actual load and sensor output value
- Watch dog
- Hi, Low comparison output
- 2 Relay contact output per channel
- Analog out (DAC)
- Modbus RTU protocol



## >SPECIFICATIONS

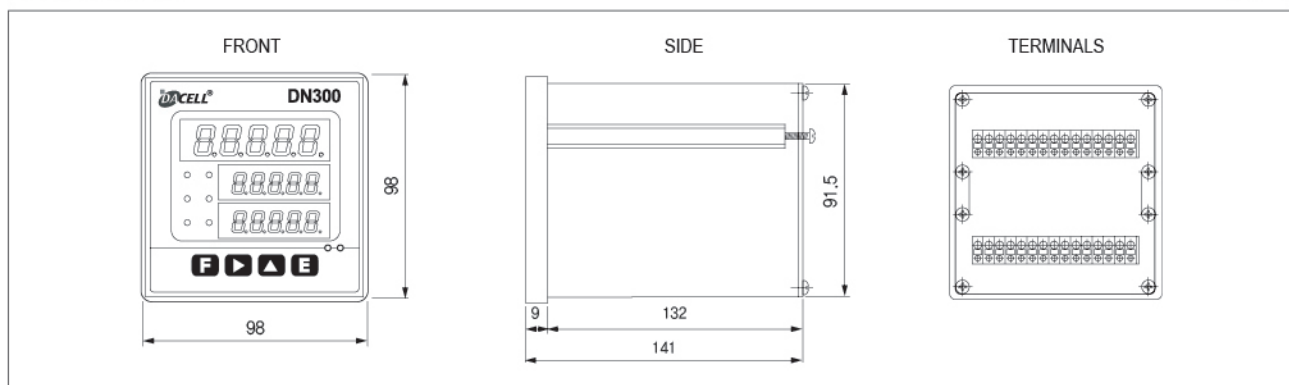
Specifications	Accuracy
Application sensor	Strain Gauge sensor
Channel	2 Channel
Sensor authorized voltage	DC 5V
Zero adjustment range	100% F.S (Auto Zero)
Input signal	0.5 ~ 3.5mV/V
Display	Individual display : -19999 ~ +99999 (channel 1, 2) Summing display : -19999 ~ +99999 (channel 3)
Character height	Individual display : 7 segment LED 10mm (channel 1, 2) Summing display : 7 segment LED 14mm (channel 3)
AD converter	24 bit 100 sps
DA converter	16 bit 100Hz
Temperature Characteristic	DC 0 ~ ±10V or 4~20mA(Selective use)
Analog output	Contact capacity : 250VAC/3VDC 3A Relay life time : Over 107, Over 105 under the rated load)
Relay output	-10°C ~ 60°C
Usage temperature range	-10°C ~ 60°C
Humidity	Less than 80% RH (no dewing.)
Power Source Used	AC 90 ~ 240V 50/60Hz 8VA
Outer Diameter (W×H×D)	98×98×141mm
Panel Cutting Size	92.5×92.5mm
Weight	About 700g

## ■ Option

- OP-01 : BCD parallel out (channel 3)
- OP-02 : RS232C (Default Mounting)
- OP-03 : RS485
- OP-10 : Power DC24V 0.3A
- OP-14 : Input signal 5mV/V
- OP-15 : Input signal 10mV/V

## >DIMENSIONS

unit:mm



★ Specifications are subject to change without notice.