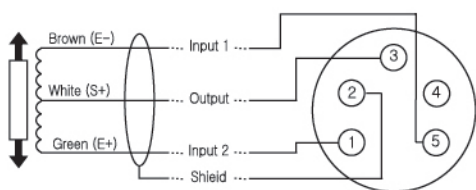


> Model DP-S4, DP-10, DP-25

Various measuring range : $\pm 2\text{mm}$ to $\pm 12.5\text{mm}$
 Excellent resistance to workshop conditions
 High resolution & linearity



< Connection Details >

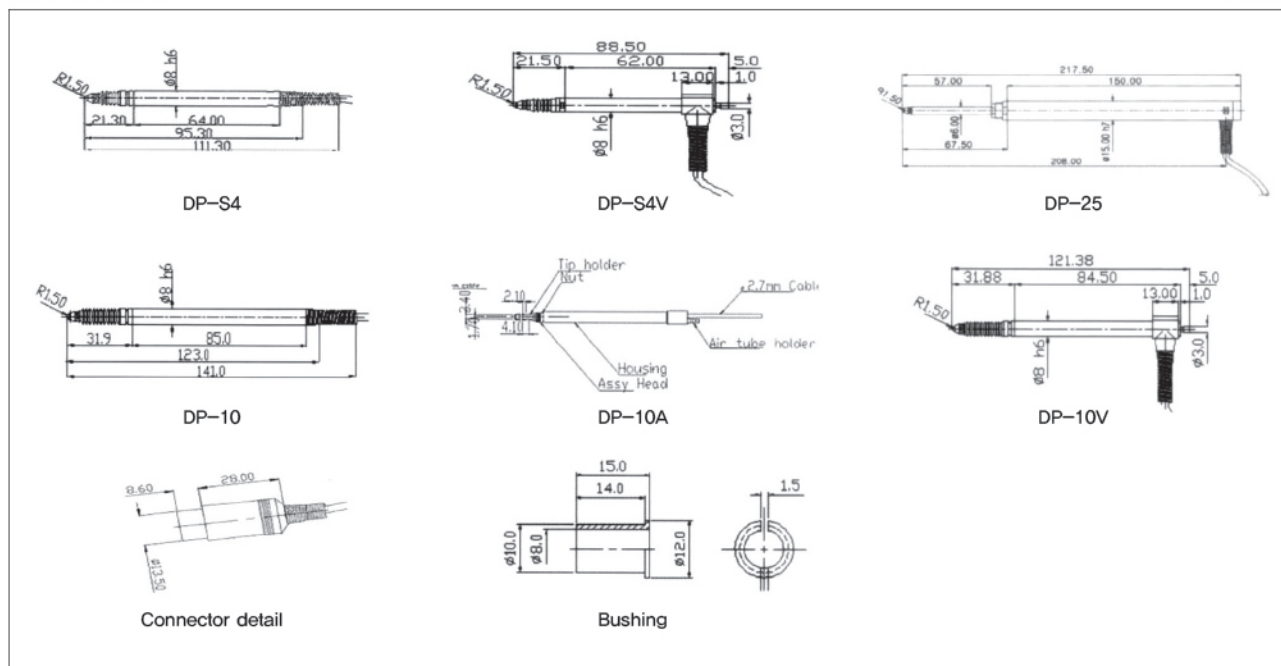


> SPECIFICATIONS

Specifications	DP-S4	DP-S4V	DP-10	DP-10V	DP-25
Plunger retraction	Standard	Vacuum	Standard	Vacuum	Standard
Stroke range	4.95mm		10.45mm		26mm
Measuring range	$\pm 2\text{mm}$		$\pm 4\text{mm}$		$\pm 12.5\text{mm}$
Repeatability	0.1 μm		5 μm		10 μm
Nonlinearity	0.1% (at the $\pm 1.0\text{mm}$)		0.1% (at the $\pm 3.0\text{mm}$)		0.3% (at the $\pm 8\text{mm}$)
Measuring Force	4~90g		30~80g		180g
Cable length	2.2m		3m		
External diameter	$\varnothing 8\text{mm}$				$\varnothing 15\text{mm}$
Mass(except cable unit)	Approx. 17g	Approx. 22g	Approx. 20g	Approx. 26g	Approx. 145g
Operating temp	0°C to 40°C				

> DIMENSIONS

unit:mm



★ Specifications are subject to change without notice.