



This is I.T. Co., Ltd.

1878 Moo 1 Soi Bearing 44 Sukhumvit 107 Rd.

T.Samrongnua A.Muang Samutprakarn Thailand 10270

Hot Line: 091-095-8123 Site: www.thisisit.co.th E-mail: sales@thisisit.co.th

HVH-B – HIGH PRESSURE RANGE PRESSURE TRANSDUCER

Features

- For measurement of high pressures.
- Small size. Light weight (260 gr.).
- Pressure conduit type. Airtight structure.
- All stainless steel made.
- Accuracy class: 0.3%. High accuracy and high stability type.



Specifications

Safe Overload	120%RC
Rated Output	0.5mV/V \pm 1%
Nonlinearity	0.3%RO
Hysteresis	0.3%RO
Repeatability	0.2%RO
Excitation Voltage	10V (or less)
Safe Excitation Voltage	15V
Input Resistance	350 Ω
Output Resistance	350 Ω
Compensated Temp.Range	-10 to 60°C
Safe Temp.Range	-20 to 80°C
Temp.Effect on Zero	0.02%RO/°C
Temp.Effect on Output	0.01%/°C
Connector(on body)	Receptacle / PRC03-21A10-7F
Attached cable	L-A-5



Micro Sensor Technology

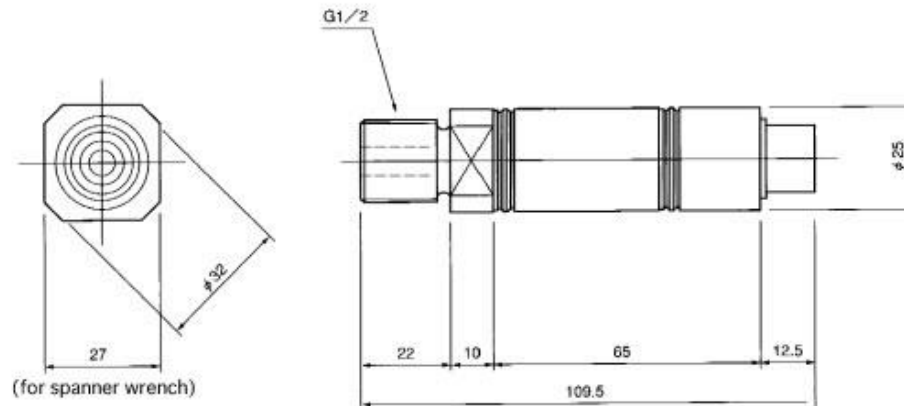
SHOWA MEASURING INSTRUMENTS INC.

Tokyo Japan



This is I.T. Co., Ltd.
1878 Moo 1 Soi Bearing 44 Sukhumvit 107 Rd.
T.Samrongnua A.Muang Samutprakarn Thailand 10270
Hot Line: 091-095-8123 Site: www.thisisit.co.th E-mail: sales@thisisit.co.th

Appearance Dimensions



Model and Capacity / Frequency response / etc. (unit : mm)

Model	Capacity	Natural frequency	Weight
HVH-50MPA-B	50MPa(509.9kgf/cm ²)	14kHz	260g
HVH-100MPA-B	100MPa(1020kgf/cm ²)	14kHz	260g
HVH-200MPA-B	200MPa(2039kgf/cm ²)	14kHz	260g

- The weight indicated in the tables of this data sheet does not include the weight of relay cables.
- The numerical values of the natural frequency indicated in this data sheet are the calculated values of the independent single elastic body. The pressure response is dependent on features of the pressure media and so on.



Micro Sensor Technology

SHOWA MEASURING INSTRUMENTS INC.

Tokyo Japan