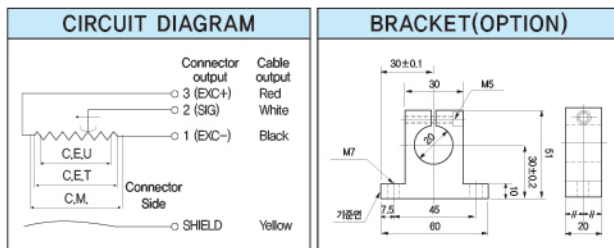


Linear Potentionmeter



> Model LPS

Model LPS is a compact style, easily handled strain meter. It is a DC output type and it outputs the ratio of input resistance and output voltage through changes of the interior volume resistance. It could be used for dynamic measurement as well as static measurement.



> SPECIFICATIONS

Specifications	Accuracy	
Rated capacity	10, 30 mm	50, 100 mm
Nonlinearity	±0.5% F.S	±0.4% F.S
Hysteresis	±0.15% F.S	±0.1% F.S
Non-repeatability	±0.15% F.S	±0.1% F.S
Total resistance (±20%)	2kΩ (stroke 10mm), 5kΩ (stroke 30~100mm)	
Temperature range, compensated	-10°C to 70°C	
Temperature range, safe	0°C to 60°C	
Excitation Voltage	10V DC	
Cable	Ø4 shield 5m	

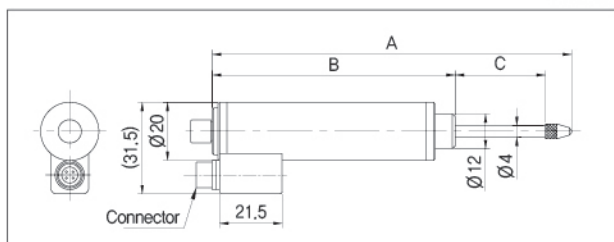
> DIMENSIONS TABLE

unit:mm

Stroke	A	B	C
10mm	83.5	63.5	Useful stroke +1.5/-0
30mm	123.5	83.5	Useful stroke +1.5/-0
50mm	163.5	103.5	Useful stroke +1.5/-0
80mm	245	155	Useful stroke +1.5/-0
100mm	265	155	Useful stroke +1.5/-0

> DIMENSIONS

unit:mm



> Model LPM

Compact style, easily handled potentiometer. It is a DC output type and it outputs the ratio of input resistance and output voltage through changes of the interior volume resistance. It could be used for dynamic measurement as well as static measurement.

> SPECIFICATIONS

Specifications	Accuracy
Rated capacity(R.C.)	10, 25, 50mm / 100mm
Accuracy	±0.2% R.O.
Hysteresis	±0.2% R.O.
Non-repeatability	±0.2% R.O.
Total resistance (±20%)	5kΩ (10~100mm)
Temperature range, compensated	-10°C to 70°C
Temperature range, safe	0°C to 60°C
Excitation Voltage	1~10V DC
Cable	Ø4 shield 5m

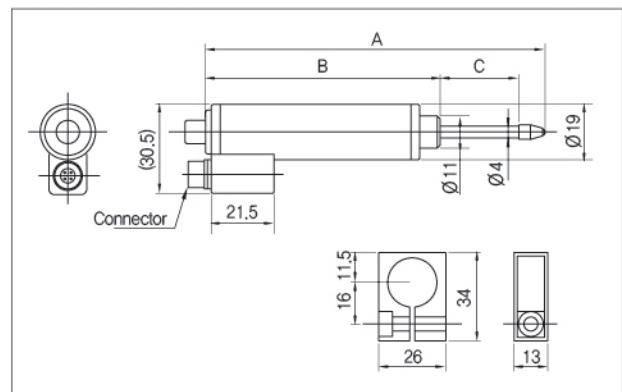
> DIMENSIONS TABLE

unit:mm

Stroke	A	B	C
10mm	86.5	65.5	12
25mm	116.5	80.5	27
50mm	166.5	105.5	52
100mm	269.5	159.5	101

> DIMENSIONS

unit:mm



★ Specifications are subject to change without notice.