



This is I.T. Co., Ltd.

1878 Moo 1 Soi Bearing 44 Sukhumvit 107 Rd.

T.Samrongnua A.Muang Samutprakarn Thailand 10270

Hot Line: 091-095-8123 Site: www.thisisit.co.th E-mail: sales@thisisit.co.th

MRH – ULTRA SMALL TYPE LOAD CELL

Features

- Ultra-small & low capacity, namely, 12 mm in external diameter and 4 mm in thickness (4.2 mm per 50N).
- Load can be sensed on the flat surface of 8 mm in diameter (during uniform loading).
- Capacities: 20N & 50N.
- Applications: Most suitable for measurement of finger pressure sensibility, for example, measurement of IC/vacuum chuck pressurizing force, body pressure distribution on car seats, and so on.



Specifications

Safe Overload	120%RC
Rated Output	1mV/V±20%
Nonlinearity	0.5%RO
Hysteresis	0.5%RO
Repeatability	0.3%RO
Excitation Voltage	4V (or less)
Safe Excitation Voltage	6V
Input Resistance	350Ω
Output Resistance	350Ω
Compensated Temp.Range	0 to 60°C
Safe Temp.Range	-10 to 80°C
Temp.Effect on Zero	0.2%RO/°C
Temp.Effect on Output	0.03%/°C
Cable	Φ2mm-4wire shielded cable, length: 3m



Micro Sensor Technology

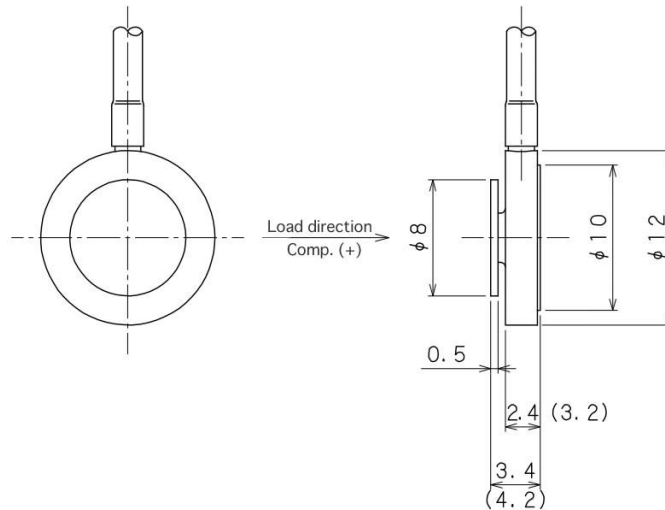
SHOWA MEASURING INSTRUMENTS INC.

Tokyo Japan



This is I.T. Co., Ltd.
1878 Moo 1 Soi Bearing 44 Sukhumvit 107 Rd.
T.Samrongnua A.Muang Samutprakarn Thailand 10270
Hot Line: 091-095-8123 Site: www.thisisit.co.th E-mail: sales@thisisit.co.th

Appearance Dimensions



Model and Capacity / etc. (unit : mm)

Model	Capacity	Natural frequency	Weight
MRH-20N	20N	21kHz	5g
MRH-50N	50N	35kHz	5g

- The weight indicated in the specifications does not include that of the cable.
- An extremely thin side wound shielded cable with an excellent bendability is used in this Model of Load Cell. In order for this extremely thin cable to be free from any accidents of being snapped off in the course of operation, it is recommended that this thin cable is connected with the robot cable via relay terminals if the load cell is installed on fluctuating positions.
- Although the standard length of the drawn out cable from the load cell is determined to be 3 M, we see no particular effects provided even that the load cells are used with the drawn out cable in the different lengths