



This is I.T. Co., Ltd.

1878 Moo 1 Soi Bearing 44 Sukhumvit 107 Rd.

T.Samrongnua A.Muang Samutprakarn Thailand 10270

Hot Line: 091-095-8123 Site: www.thisisit.co.th E-mail: sales@thisisit.co.th

PHC – CENTER HOLE TYPE LOAD CELL

Features

- Small size. Light weight. For the control of load in electrical and hydraulic press machines.
- Supplied for the installaion with top and bottom flanges. Easy mounting on the press machine already in position and on operation.
- Can make a special measurement using a hollowed space because of its center hole construction.
- Using an oil-resistant and flexible cable.



Specifications

Safe Overload	120%RC
Rated Output	1mV/V±1%
Nonlinearity	0.5%RO
Hysteresis	0.5%RO
Repeatability	0.3%RO
Excitation Voltage	12V (or less)
Safe Excitation Voltage	20V
Input Resistance	350Ω
Output Resistance	350Ω
Compensated Temp.Range	-10 to 70°C
Safe Temp.Range	-30 to 80°C
Temp.Effect on Zero	0.01%RO/°C
Temp.Effect on Output	0.03%/°C
Cable	Φ6mm-4wire shielded cable, length: 3m



Micro Sensor Technology

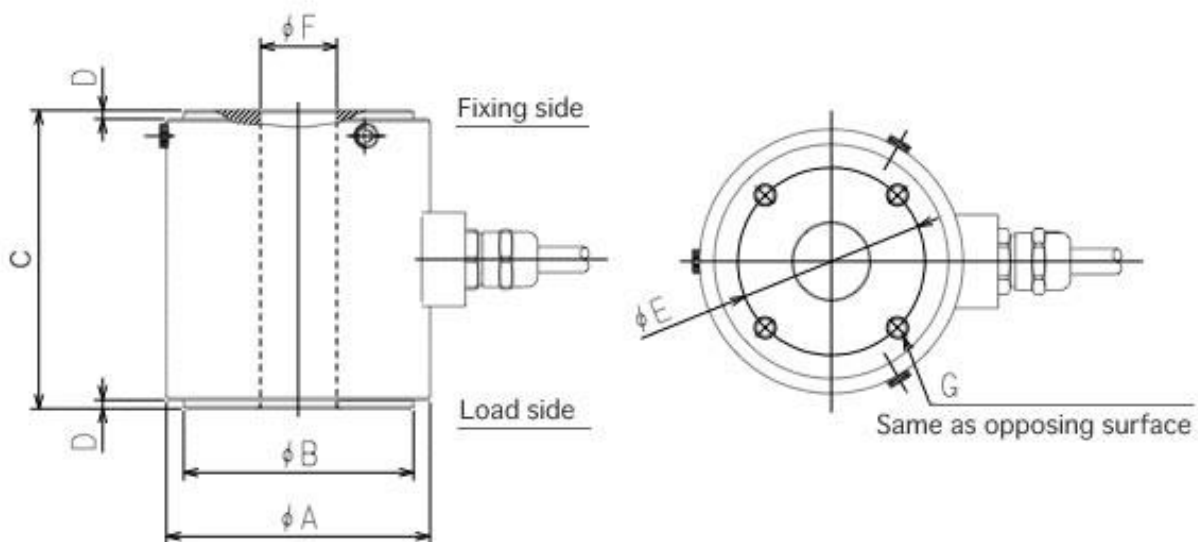
SHOWA MEASURING INSTRUMENTS INC.

Tokyo Japan



This is I.T. Co., Ltd.
 1878 Moo 1 Soi Bearing 44 Sukhumvit 107 Rd.
 T.Samrongnua A.Muang Samutprakarn Thailand 10270
 Hot Line: 091-095-8123 Site: www.thisisit.co.th E-mail: sales@thisisit.co.th

Appearance Dimensions



Model and Capacity / Dimension / etc. (unit : mm)

Model	Capacity	A	B	C	D	E	F	G	Natural frequency	Weight
PHC-5KN	5kN	40	35	50	1	24	10	2-4-M4,8 deep	8.7kHz	0.3kg
PHC-10KN	10kN	62	55	70	2	44	18	2-4-M5,8 deep	5.4kHz	0.95kg
PHC-20KN	20kN	62	55	70	2	44	18	2-4-M5,8 deep	7.5kHz	1.0kg
PHC-30KN	30kN	62	55	70	2	44	18	2-4-M5,8 deep	9.2kHz	1.0kg
PHC-50KN	50kN	62	55	70	2	44	18	2-4-M5,8 deep	11kHz	1.0kg
PHC-100KN	100kN	62	55	80	2	44	18	2-4-M5,8 deep	12kHz	1.3kg



Micro Sensor Technology

SHOWA MEASURING INSTRUMENTS INC.

Tokyo Japan