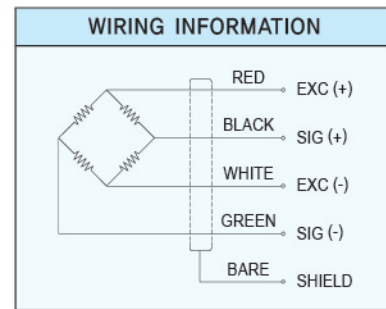
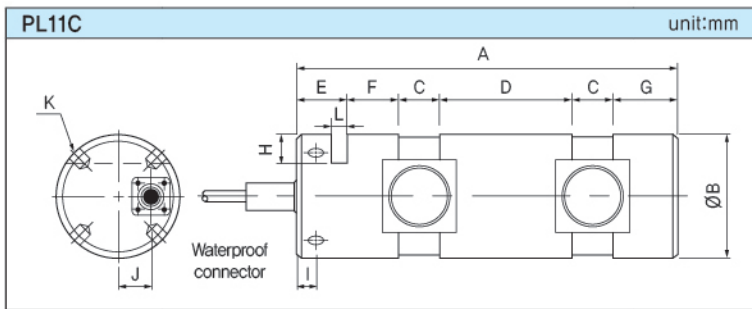
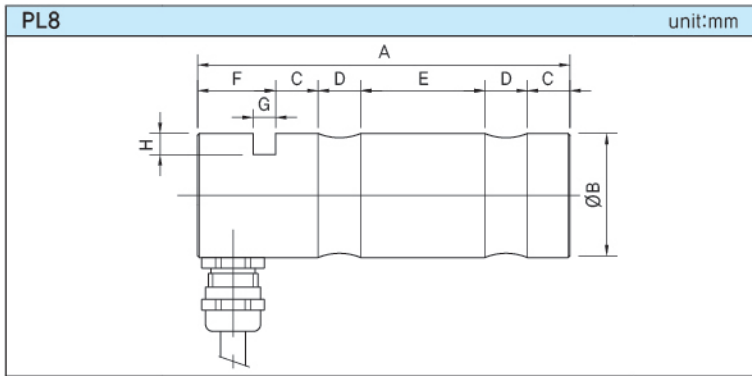
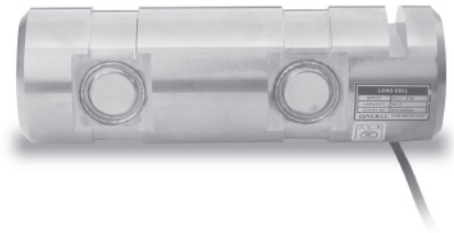
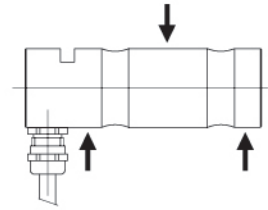


# Pin Type Load Cells

## > Model PL8, PL11C

Pin Type, Load cells made from stainless steel, Small size, easy to install.  
Load cells for crane scale system and Load limiter system.  
Protection class IP67



## > SPECIFICATIONS

Specifications	Accuracy	
	PL8	PL11C
Rated capacity(R.C)	2tf, 5tf, 10tf, 20tf, 40tf	50tf, 100tf, 125tf, 150tf, 200tf
Rated output(R.O)	1mV/V±0.5%	1mV/V±0.5%
Nonlinearity	0.15% of R.O.	0.15% of R.O.
Hysteresis	0.15% of R.O.	0.1% of R.O.
Repeatability	0.1% of R.O.	0.1% of R.O.
Creep	0.05% of R.O.	0.05% of R.O.
Zero balance	±1% of R.O.	±1% of R.O.
Temperature effect on rated output	0.01% LOAD/10°C	0.01% LOAD/10°C
Temperature effect on zero balance	0.02% R.O./10°C	0.02% R.O./10°C
Temperature range, compensated	-10°C to 70°C	-10°C to 70°C
Temperature range, safe	-20°C to 80°C	-20°C to 80°C
Terminal resistance input, output	700Ω ±1%	700Ω ±5%
Insulation resistance bridge/case	2000MΩ	2000MΩ
Excitation recommended	10V	10V
Safe overload	120% R.C.	150% R.C.
Cable length	Ø5mm, 4 Core, 3m	Ø7mm, 4 Core, 3m

## > DIMENSIONS TABLE

Model	Capacity	A	ØB	C	D	E	F	G	H	I	J	K	L
PL8-T2	2tf (19.61kN)	105	35	12	12	35	22	6.3	6				
PL8-T5	5tf (49.03kN)	105	35	12	12	35	22	6.3	6				
PL8-T10	10tf (98.07kN)	152	50	18	18	48	32	10.5	5				
PL8-T20	20tf (196.1kN)	190	65	20	25	65	35	10.5	10				
PL8-T40	40tf (392.3kN)	256	85	28	35	89	41	12.5	14.5				
Model	Capacity	A	ØB	C	D	E	F	G	H	I	J	K	L
PL11C-T50	50tf (490.35kN)	258	85	28	89	34	35	44	20	13	22.5	4-Ø10 DP10	10.5
PL11C-T100	100tf (980.7kN)	347	100	35	120	36	55	66	14	13	28	4-Ø10 DP10	10.5
PL11C-T125	125tf (1225.87kN)	347	120	35	120	36	55	66	40	13	34.5	4-Ø10 DP10	12.5
PL11C-T150	150tf (1471.05kN)	450	140	50	140	70	70	70	40	20	35	4-Ø10 DP10	30
PL11C-T200	200tf (1961.4kN)	356	160	50	80	50	38	88	24	15	35	4-Ø10 DP10	20

\*Specifications are subject to change without notice.