



This is I.T. Co., Ltd.

1878 Moo 1 Soi Bearing 44 Sukhumvit 107 Rd.

T.Samrongnua A.Muang Samutprakarn Thailand 10270

Hot Line: 091-095-8123 Site: www.thisisit.co.th E-mail: sales@thisisit.co.th

RCD – COAXIAL BEAM TYPE AND SMALL LOAD CELL

Features

- All stainless steel (SUS630) construction.
- Filled with inactive gases. Hermetically sealed construction.
- Small size and light weight.
- Accuracy class: 0.15%.



Specifications

Safe Overload	150%RC
Rated Output	2mV/V \pm 1%
Nonlinearity	0.15%RO (500N ~ 20kN)
	0.10%RO (50kN ~ 200kN)
Hysteresis	0.15%RO
Repeatability	0.1%RO
Excitation Voltage	12V (or less)
Safe Excitation Voltage	20V
Input Resistance	420 Ω
Output Resistance	350 Ω
Compensated Temp.Range	-10 to 60 $^{\circ}$ C
Safe Temp.Range	-30 to 80 $^{\circ}$ C
Temp.Effect on Zero	0.01%RO/ $^{\circ}$ C
Temp.Effect on Output	0.01%/ $^{\circ}$ C
Cable	Φ 6mm-4wire shielded cable, length : 5m(500N to 20kN)
	Φ 8mm-4wire shielded cable, length : 5m(50kN to 200kN)



Micro Sensor Technology

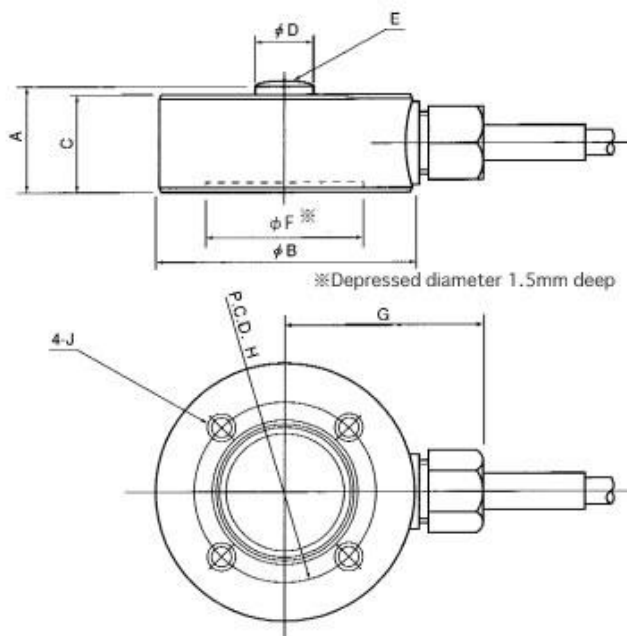
SHOWA MEASURING INSTRUMENTS INC.

Tokyo Japan



This is I.T. Co., Ltd.
 1878 Moo 1 Soi Bearing 44 Sukhumvit 107 Rd.
 T.Samrongnua A.Muang Samutprakarn Thailand 10270
 Hot Line: 091-095-8123 Site: www.thisisit.co.th E-mail: sales@thisisit.co.th

Appearance Dimensions



Model and Capacity / Dimension / etc. (unit : mm)

Model	Capacity	A	B	C	D	E	F	G	H	J	Natural frequency	Weight
RCD-500N	500N	25	60	22	12	SR50	36	45	42	M5,6 deep	3.6kHz	0.7kg
RCD-1KN	1kN	25	60	22	12	SR50	36	45	42	M5,6 deep	5.4kHz	0.7kg
RCD-2KN	2kN	25	60	22	12	SR50	36	45	42	M5,6 deep	7.8kHz	0.7kg
RCD-5KN	5kN	25	60	22	12	SR50	36	45	42	M5,6 deep	13kHz	0.7kg
RCD-10KN	10kN	25	60	22	12	SR50	36	45	42	M5,6 deep	16kHz	0.8kg
RCD-20KN	20kN	25	60	22	12	SR50	36	45	42	M5,6 deep	23kHz	0.8kg
RCD-50KN	50kN	40	100	35	24	SR70	65	80	80	M8,15 deep	7.7kHz	1.8kg
RCD-100KN	100kN	40	100	35	24	SR70	65	80	80	M8,15 deep	11kHz	1.8kg
RCD-200KN	200kN	45	120	40	33	SR100	73	90	90	M8,15 deep	5kHz	3.1kg

- Confirmation to undescribed items to be made with reference to descriptions on instruction manuals or directly to this Company.