



This is I.T. Co., Ltd.

1878 Moo 1 Soi Bearing 44 Sukhumvit 107 Rd.

T.Samrongnua A.Muang Samutprakarn Thailand 10270

Hot Line: 091-095-8123 Site: www.thisisit.co.th E-mail: sales@thisisit.co.th

RCT-E – COAXIAL BEAM TYPE AND HIGH ACCURACY LOAD CELL

Features

- Covering wide capacity ranges (10N to 5kN).
- High accuracy and small size. For both tension and compression applications.
- Excellent in deflection-proof characteristics (Maximum falling out distance: 25 mm).
- Maximum difference in output between tension and compression detection: Within 0.1%.
- Most suitable for use in high accuracy test and inspection equipment.
- Accuracy class: 0.05%.



Specifications

Safe Overload	150%RC
Rated Output	1.5mV/V±1%
Nonlinearity	0.05% RO
Hysteresis	0.05% RO
Repeatability	0.03% RO
Excitation Voltage	12V (or less)
Safe Excitation Voltage	20V
Input Resistance	350Ω
Output Resistance	350Ω
Compensated Temp.Range	-10 to 60°C
Safe Temp.Range	-30 to 80°C
Temp.Effect on Zero	0.005%RO/°C
Temp.Effect on Output	0.005%/°C
Connector (on body)	Φ6mm-4wire shielded cable, length: 5m
Attached connector	PRC03-12A10-7M



Micro Sensor Technology

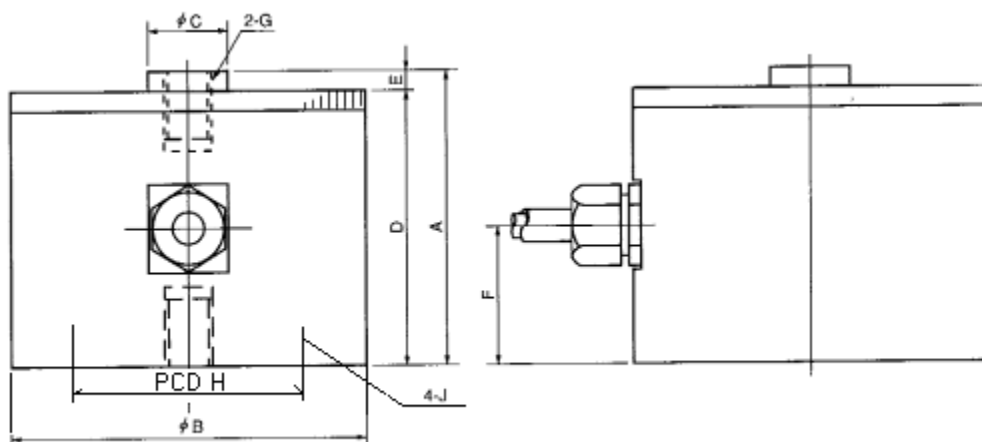
SHOWA MEASURING INSTRUMENTS INC.

Tokyo Japan



This is I.T. Co., Ltd.
 1878 Moo 1 Soi Bearing 44 Sukhumvit 107 Rd.
 T.Samrongnua A.Muang Samutprakarn Thailand 10270
 Hot Line: 091-095-8123 Site: www.thisisit.co.th E-mail: sales@thisisit.co.th

Appearance Dimensions



Model and Capacity / Dimension / etc. (unit : mm)

Model	Capacity	A	B	C	D	E	F	G	H	J	Weight
RCT-10NE	10N	57	60	20	52	5	25	M12*1.5,15 deep	52	M4,7 deep	0.6kg
RCT-20NE	20N	57	60	20	52	5	25	M12*1.5,15 deep	52	M4,7 deep	0.6kg
RCT-50NE	50N	70	70	20	65	5	35	M12*1.5,20 deep	60	M6,11 deep	1.1kg
RCT-100NE	100N	70	70	20	65	5	35	M12*1.5,20 deep	60	M6,11 deep	1.1kg
RCT-200NE	200N	70	70	20	65	5	35	M12*1.5,20 deep	60	M6,11 deep	1.1kg
RCT-500NE	500N	70	70	20	65	5	35	M12*1.5,20 deep	60	M6,11 deep	1.1kg
RCT-1KNE	1kN	70	70	20	65	5	35	M12*1.5,20 deep	60	M6,11 deep	1.1kg
RCT-2KNE	2kN	70	70	20	65	5	35	M12*1.5,20 deep	60	M6,11 deep	1.2kg
RCT-5KNE	5kN	80	70	20	75	5	35	M12*1.5,20 deep	60	M6,11 deep	1.6kg



Micro Sensor Technology

SHOWA MEASURING INSTRUMENTS INC.

Tokyo Japan