



This is I.T. Co., Ltd.

1878 Moo 1 Soi Bearing 44 Sukhumvit 107 Rd.

T.Samrongnua A.Muang Samutprakarn Thailand 10270

Hot Line: 091-095-8123 Site: www.thisisit.co.th E-mail: sales@thisisit.co.th

RCT – PIPE TYPE LOAD CELL

Features

- High capacity and for versatile applications.
- Easy to handle because of its small size and light weight.
- Supplied with an inspection data sheet to both tension and compression directions (excluding some rated capacities).
- Most suitable for measuring traction force in construction or agricultural machines.
- Accuracy class: 0.2%.



Specifications

Safe Overload	150%RC
Rated Output	1.5mV/V±1%
Nonlinearity	0.2% RO
Hysteresis	0.2% RO
Repeatability	0.1% RO
Excitation Voltage	12V (or less)
Safe Excitation Voltage	20V
Input Resistance	350Ω
Output Resistance	350Ω
Compensated Temp.Range	-10 to 60°C
Safe Temp.Range	-30 to 80°C
Temp.Effect on Zero	0.01%RO/°C
Temp.Effect on Output	0.01%/°C
Connector (on body)	Receptacle / PRC03-21A10-7F
Attached cable	L-A-5



Micro Sensor Technology

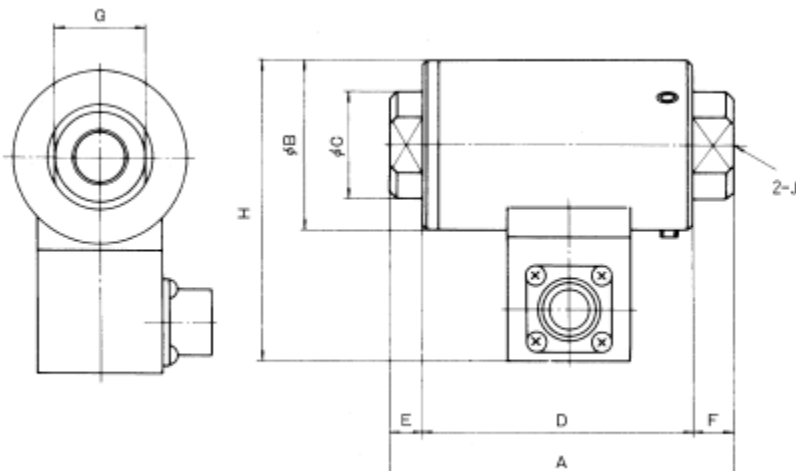
SHOWA MEASURING INSTRUMENTS INC.

Tokyo Japan



This is I.T. Co., Ltd.
 1878 Moo 1 Soi Bearing 44 Sukhumvit 107 Rd.
 T.Samrongnua A.Muang Samutprakarn Thailand 10270
 Hot Line: 091-095-8123 Site: www.thisisit.co.th E-mail: sales@thisisit.co.th

Appearance Dimensions



Model and Capacity / Dimension / etc. (unit : mm)

Model	Capacity	A	B	C	D	E	F	G	H	J
RCT-5KN-201 ^{※1}	5kN	70	34	29	50	10	10	26	64	M12*1.5,15 deep
RCT-10KN	10kN	83	41	24	65	8	10	22	74	M14*1.5,15 deep
RCT-20KN	20kN	98	50	29.5	73	11	14	26	83	M18*1.5,22 deep
RCT-50KN	50kN	152	52	44.5	85	36	31	41	85	M28*1.5,34 deep
RCT-100KN	100kN	200	70	59	110	47	43	4-Φ8	110	M40*1.5,45 deep
RCT-200KN	200kN	270	96	84	145	65	60	4-Φ10	145	M54*2,65 deep
RCT-500KN ^{※1}	500kN	420	146	129	220	102	98	4-Φ15	220	M84*2.5,100 deep
RCT-1MN ^{※1}	1MN	560	195	174	290	140	130	4-Φ20	290	M110*3,130 deep

- Size "G"(Spanner hanging device): The size "G" for capacities exceeding 100 kN represents the hole diameter for the purpose of spanner hanging.
- Confirmation to undescribed items to be made with reference to descriptions on instruction manuals or directly to this Company.
- Items with Marks (※1) are produced only on order placed.



Micro Sensor Technology

SHOWA MEASURING INSTRUMENTS INC.

Tokyo Japan