



This is I.T. Co., Ltd.

1878 Moo 1 Soi Bearing 44 Sukhumvit 107 Rd.

T.Samrongnua A.Muang Samutprakarn Thailand 10270

Hot Line: 091-095-8123 Site: www.thisisit.co.th E-mail: sales@thisisit.co.th

RCU-A – HIGH ACCURACY LOAD CELL

Features

- High accuracy. High stability. Filled with inactive gases.
- Accuracy class: 0.03%.
- Covering compression high capacities (10kN to 200kN).
- Main applications: Scaling machines, industrial machines, etc.
- Hermetically sealed construction insuring excellent environmental proof features.
- Using the cable (6-conductors) meeting remote sensing requirements.



Specifications

Safe Overload	150%RC
Rated Output	3mV/V±1%
Nonlinearity	0.03%RO
Hysteresis	0.03%RO
Repeatability	0.02%RO
Excitation Voltage	12V (or less)
Safe Excitation Voltage	20V
Input Resistance	350Ω
Output Resistance	350Ω
Compensated Temp.Range	-10 to 60°C
Safe Temp.Range	-30 to 80°C
Temp.Effect on Zero	0.002%RO/°C
Temp.Effect on Output	0.002%/°C
Cable	Φ9.6mm-6wire shielded cable, length: 5m



Micro Sensor Technology

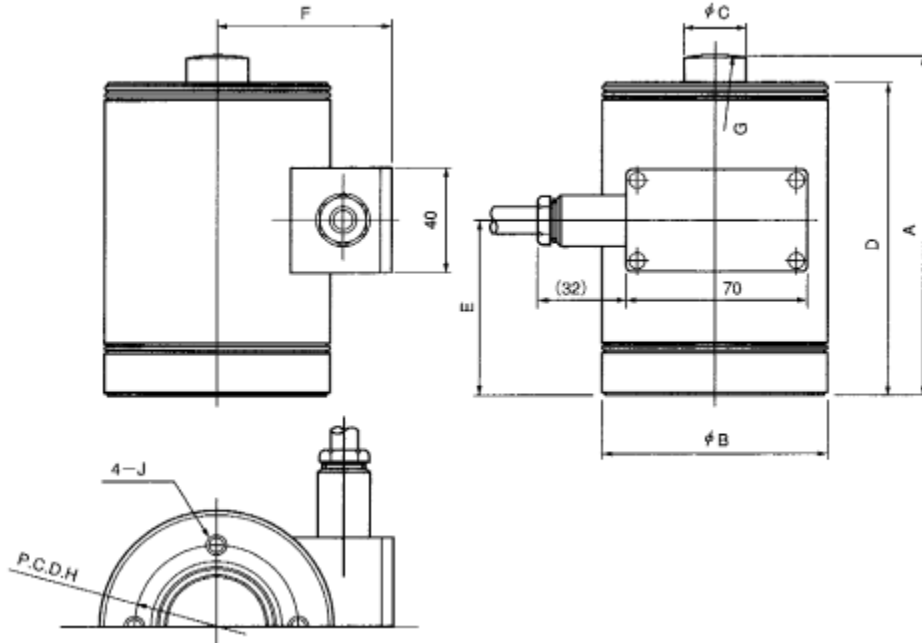
SHOWA MEASURING INSTRUMENTS INC.

Tokyo Japan



This is I.T. Co., Ltd.
 1878 Moo 1 Soi Bearing 44 Sukhumvit 107 Rd.
 T.Samrongnua A.Muang Samutprakarn Thailand 10270
 Hot Line: 091-095-8123 Site: www.thisisit.co.th E-mail: sales@thisisit.co.th

Appearance Dimensions



Model and Capacity / Dimension / etc. (unit : mm)

Model	Capacity	A	B	C	D	E	F	G	H	J	Natural frequency	Weight
RCU-10KNA	10kN	110	88	16	102	55	69	SR70	60	M6,10 deep	3.0kHz	3.0kg
RCU-20KNA	20kN	130	88	24	120	67	69	SR100	60	M6,10 deep	2.3kHz	4.2kg
RCU-50KNA	50kN	130	88	24	120	67	69	SR100	60	M6,10 deep	2.6kHz	4.2kg
RCU-100KNA	100kN	190	127	28	180	90	95	SR100	80	M8,15 deep	2.1kHz	11kg
RCU-200KNA*	200kN	280	166	33	268	135	117	SR100	90	M8,15 deep	1.7kHz	27kg

- Confirmation to undescribed items to be made with reference to descriptions on instruction manuals or directly to this Company.
- Items with Marks (*) can be built only on order.



Micro Sensor Technology

SHOWA MEASURING INSTRUMENTS INC.

Tokyo Japan