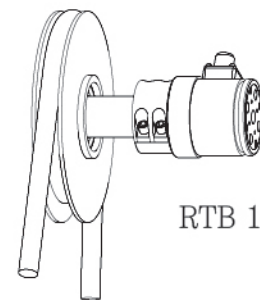
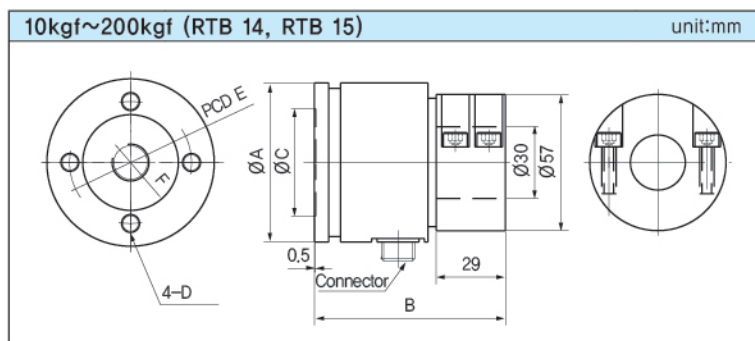
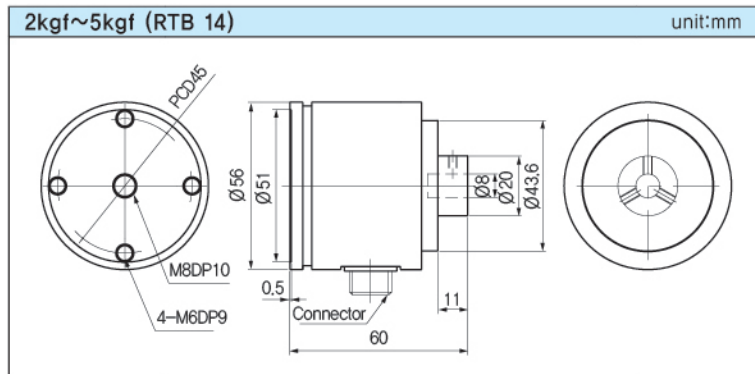


Web Tension Load Cells

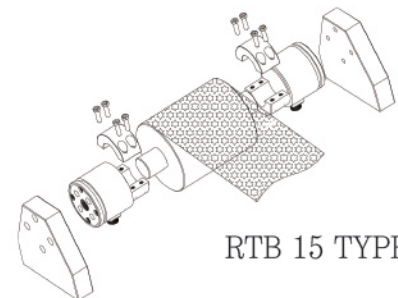
> Model RTB14, RTB15

Model RTB14, RTB15 loadcell measure the wire and roll tension.

Web tension indicator : DN300 (2 ch, Total display)



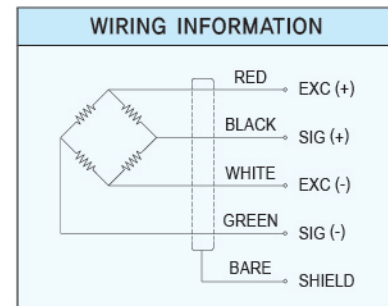
RTB 14 TYPE



RTB 15 TYPE

>SPECIFICATIONS

Specifications	Accuracy
Rated capacity(R.C)	2kgf, 5kgf, 10kgf, 20kgf, 50kgf, 100kgf, 200kgf
Rated output(R.O)	1mV/V±1%
Nonlinearity	0.1% of R.O.
Hysteresis	0.1% of R.O.
Repeatability	0.1% of R.O.
Temperature range, compensated	-10°C to 70°C
Temperature range, safe	-10°C to 80°C
Terminal resistance, input	350Ω ±30Ω
Terminal resistance, output	350Ω ±2Ω
Insulation resistance bridge	2000MΩ
Excitation recommended	10V
Safe overload	120% R.C.
Cable length	Ø5±0.3mm 4core, 3m



>DIMENSIONS TABLE (RTB14)

unit:mm

Capacity	A	B	ØC	D	E	F
10kgf (98.07N)	Ø60	80	50	M5DP15	45	M12
20kgf (196.1N)	Ø60	80	50	M5DP15	45	M12
50kgf (490.3N)	Ø60	80	50	M5DP15	45	M12
100kgf (980.7N)	Ø66.5	85	60	M8DP15	51	M16
200kgf (1,961kN)	Ø66.5	85	60	M8DP15	51	M16

>DIMENSIONS TABLE (RTB15)

unit:mm

Capacity	A	B	ØC	D	E	F
10kgf (98.07N)	Ø60	93.5	50	M5DP15	45	M12
20kgf (196.1N)	Ø60	93.5	50	M5DP15	45	M12
50kgf (490.3N)	Ø60	93.5	50	M5DP15	45	M12
100kgf (980.7N)	Ø66.5	102	60	M8DP15	51	M16
200kgf (1,961kN)	Ø66.5	102	60	M8DP15	51	M16

★Specifications are subject to change without notice.