



This is I.T. Co., Ltd.

1878 Moo 1 Soi Bearing 44 Sukhumvit 107 Rd.

T.Samrongnua A.Muang Samutprakarn Thailand 10270

Hot Line: 091-095-8123 Site: www.thisisit.co.th E-mail: sales@thisisit.co.th

RTB – COAXIAL BEAM TYPE and ATTACHED ROD-END LOAD CELL

Features

- High reliability. For versatile applications.
- Most suitable for use in materials testing machines.
- Abundant sales achievements. Low cost.
- Wide capacity ranges (50N to 5kN).
- Supplied with a rod-end attachment for tension use.
- Accuracy class: 0.15%.



Specifications

Safe Overload	150%RC
Rated Output	1.5mV/V \pm 1%
Nonlinearity	0.15%RO
Hysteresis	0.15%RO
Repeatability	0.1%RO
Excitation Voltage	10V (or less)
Safe Excitation Voltage	15V
Input Resistance	350 Ω
Output Resistance	350 Ω
Compensated Temp.Range	-10 to 60°C
Safe Temp.Range	-30 to 80°C
Temp.Effect on Zero	0.01%RO/°C
Temp.Effect on Output	0.01%/°C
Connector(on body)	Receptacle / PRC03-21A10-7F
Attached cable	L-A-5 (Refer to transducer connections)

REMARKS: Load cells of this Model can also be applied to a compression use although Model RTB load cells of standard version are supplied with a calibration data sheet treating data to tension direction only. We can say from our back data of this Model that its tension sensitivity and compression sensitivity are almost the same each other, namely, within 0.2 %, but we can willingly effect a compression load test to this Model whenever necessary on extra cost.



Micro Sensor Technology

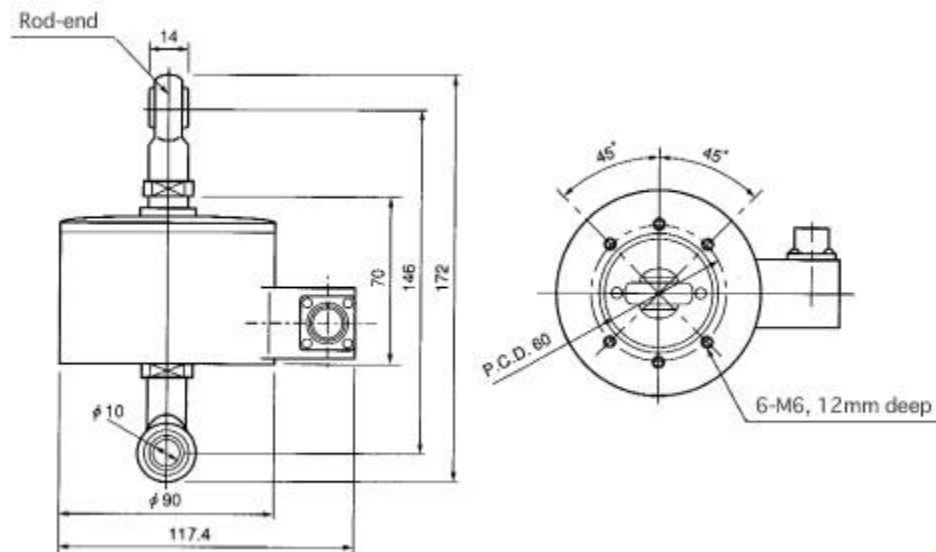
SHOWA MEASURING INSTRUMENTS INC.

Tokyo Japan



This is I.T. Co., Ltd.
1878 Moo 1 Soi Bearing 44 Sukhumvit 107 Rd.
T.Samrongnua A.Muang Samutprakarn Thailand 10270
Hot Line: 091-095-8123 Site: www.thisisit.co.th E-mail: sales@thisisit.co.th

Appearance Dimensions



Model and Capacity / Dimension / etc. (unit : mm)

Model	Capacity	Natural frequency	Weight
RTB-50N	50N	0.1kHz	2.3kg
RTB-100N	100N	0.2kHz	2.3kg
RTB-200N	200N	0.3kHz	2.3kg
RTB-500N	500N	0.4kHz	2.3kg
RTB-1KN	1kN	0.6kHz	2.3kg
RTB-2KN	2kN	0.8kHz	2.5kg
RTB-5KN	5kN	1.5kHz	2.5kg



Micro Sensor Technology

SHOWA MEASURING INSTRUMENTS INC.

Tokyo Japan