



This is I.T. Co., Ltd.

1878 Moo 1 Soi Bearing 44 Sukhumvit 107 Rd.

T.Samrongnua A.Muang Samutprakarn Thailand 10270

Hot Line: 091-095-8123 Site: [www.thisisit.co.th](http://www.thisisit.co.th) E-mail: [sales@thisisit.co.th](mailto:sales@thisisit.co.th)

# RTD-UA – COAXIAL BEAM TYPE and WATERPROOF LOAD CELL

## Features

- Completely satisfying waterproof requirement (JIS C 0920 Class 7). Immersion-proof allowing underwater operation.
- All stainless stainless steel (SUS630) construction.
- Filled with inactive gases. Airtight construction.
- Small size and light weight (Can disassemble the adaptor).
- Can both tension and compression uses.
- Accuracy class: 0.15%.



## Specifications

<b>Safe Overload</b>	150%RC (500N ~ 10kN) 120%RC (20kN)
<b>Rated Output</b>	2mV/V±1%
<b>Nonlinearity</b>	0.15%RO
<b>Hysteresis</b>	0.15%RO
<b>Repeatability</b>	0.1%RO
<b>Excitation Voltage</b>	12V (or less)
<b>Safe Excitation Voltage</b>	20V
<b>Input Resistance</b>	420Ω
<b>Output Resistance</b>	350Ω
<b>Compensated Temp.Range</b>	-10 to 60°C
<b>Safe Temp.Range</b>	-30 to 80°C
<b>Temp.Effect on Zero</b>	0.01%RO/°C
<b>Temp.Effect on Output</b>	0.01%/°C
<b>Cable</b>	Φ8.5mm-4wire shielded cable, length: 5m



**Micro Sensor Technology**

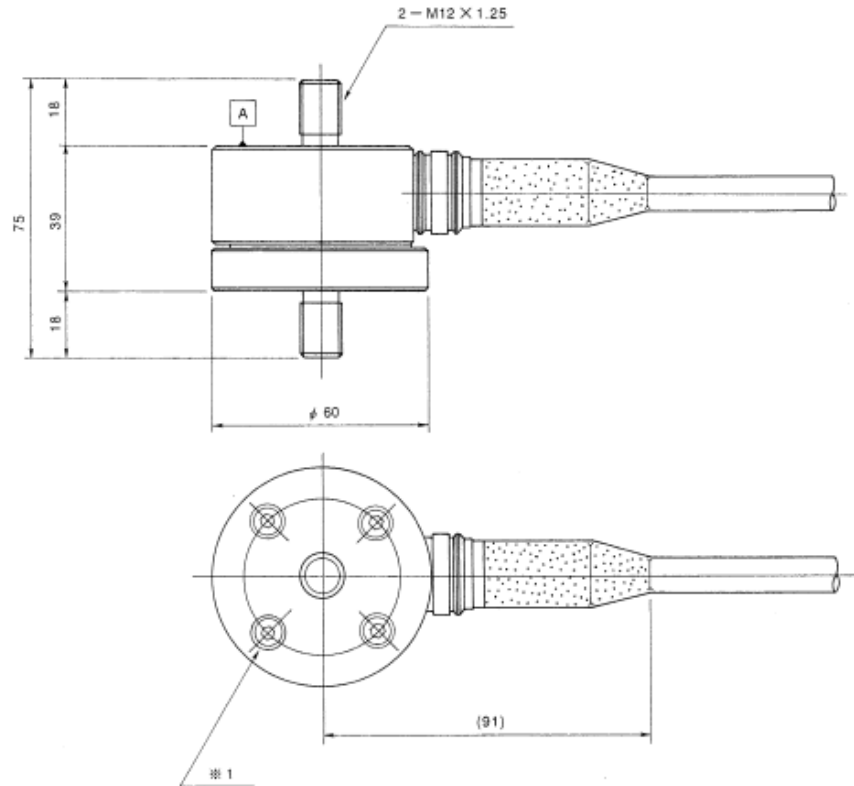
SHOWA MEASURING INSTRUMENTS INC.

Tokyo Japan



This is I.T. Co., Ltd.  
 1878 Moo 1 Soi Bearing 44 Sukhumvit 107 Rd.  
 T.Samrongnua A.Muang Samutprakarn Thailand 10270  
 Hot Line: 091-095-8123 Site: [www.thisisit.co.th](http://www.thisisit.co.th) E-mail: [sales@thisisit.co.th](mailto:sales@thisisit.co.th)

## Appearance Dimensions



Model and Capacity / Dimension / etc. (unit : mm)

Model	Capacity	Natural frequency	Weight
RTD-500NUA	500N	3.6kHz	0.8kg
RTD-1KNUA	1kN	5.4kHz	0.8kg
RTD-2KNUA	2kN	7.8kHz	0.8kg
RTD-5KNUA	5kN	13kHz	0.8kg
RTD-10KNUA	10kN	16kHz	0.9kg
RTD-20KNUA	20kN	23kHz	0.9kg



**Micro Sensor Technology**

SHOWA MEASURING INSTRUMENTS INC.

Tokyo Japan