



This is I.T. Co., Ltd.

1878 Moo 1 Soi Bearing 44 Sukhumvit 107 Rd.

T.Samrongnua A.Muang Samutprakarn Thailand 10270

Hot Line: 091-095-8123 Site: www.thisisit.co.th E-mail: sales@thisisit.co.th

RTD – COAXIAL BEAM TYPE and SMALL LOAD CELL

Features

- All stainless steel (SUS630) made.
- Filled with inactive gases. Hermetically sealed.
- Small size. Light weight. The adaptor can be disassembled.
- Can be used to both tension and compression applications.
- Main applications: For testing machines and for industrial machines.
- Accuracy class: 0.15%.



Specifications

Safe Overload	150%RC (500N ~ 10kN) 120%RC (20kN)
Rated Output	2mV/V±1%
Nonlinearity	0.15%RO
Hysteresis	0.15%RO
Repeatability	0.1%RO
Excitation Voltage	12V (or less)
Safe Excitation Voltage	20V
Input Resistance	420Ω
Output Resistance	350Ω
Compensated Temp.Range	-10 to 60°C
Safe Temp.Range	-30 to 80°C
Temp.Effect on Zero	0.01%RO/°C
Temp.Effect on Output	0.01%/°C
Cable	Φ6mm-4wire shielded cable, length: 5m

- Number of adaptor clamping screws(※1) is eight in rated capacities of 10kN and 20kN.
- This Model of load cell should be mounted on an intended position in such a manner that its mounting jigs never get into touch with the surface "A".
Note that the recommended distance between the jigs and the surface "A" will be 0.5 to 1 mm.
- Weight shown in the above list does not include weight of the cables.



Micro Sensor Technology

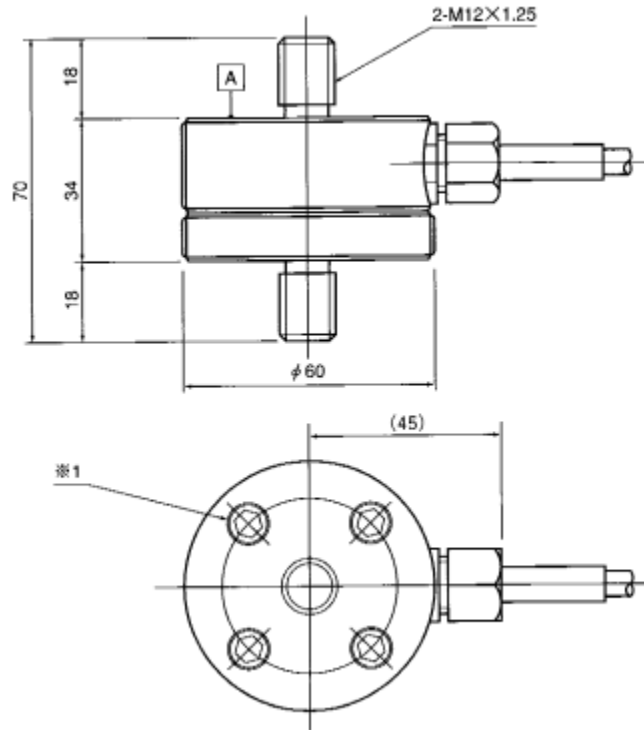
SHOWA MEASURING INSTRUMENTS INC.

Tokyo Japan



This is I.T. Co., Ltd.
1878 Moo 1 Soi Bearing 44 Sukhumvit 107 Rd.
T.Samrongnua A.Muang Samutprakarn Thailand 10270
Hot Line: 091-095-8123 Site: www.thisisit.co.th E-mail: sales@thisisit.co.th

Appearance Dimensions



Model and Capacity / Dimension / etc. (unit : mm)

Model	Capacity	Natural frequency	Weight
RTD-500N	500N	3.6kHz	1.0kg
RTD-1KN	1kN	5.4kHz	1.0kg
RTD-2KN	2kN	7.8kHz	1.0kg
RTD-5KN	5kN	13kHz	1.0kg
RTD-10KN	10kN	16kHz	1.1kg
RTD-20KN	20kN	23kHz	1.1kg



Micro Sensor Technology

SHOWA MEASURING INSTRUMENTS INC.

Tokyo Japan