



This is I.T. Co., Ltd.

1878 Moo 1 Soi Bearing 44 Sukhumvit 107 Rd.

T.Samrongnua A.Muang Samutprakarn Thailand 10270

Hot Line: 091-095-8123 Site: [www.thisisit.co.th](http://www.thisisit.co.th) E-mail: [sales@thisisit.co.th](mailto:sales@thisisit.co.th)

# SHE-LH – SHEAR BEAM TYPE AND HIGH AND LOW TEMPERATURE LOAD CELL

## Features

- Suitable for use at high and low temperatures (-40 to 150°C)
- All stainless steel construction (SUS630).
- Supplied with an inspection data sheet in both tension and compression directions.
- Easy to treat because of its larger freedom in the mounting.
- Excellent in deflection proof and fatigue proof features.
- Accuracy class: 0.05%.



## Specifications

<b>Safe Overload</b>	150%RC
<b>Rated Output</b>	2mV/V±1%
<b>Nonlinearity</b>	0.2% RO
<b>Hysteresis</b>	0.2% RO
<b>Repeatability</b>	0.1% RO
<b>Excitation Voltage</b>	10V (or less)
<b>Safe Excitation Voltage</b>	15V
<b>Input Resistance</b>	350Ω
<b>Output Resistance</b>	350Ω
<b>Compensated Temp.Range</b>	-40 to 150°C
<b>Safe Temp.Range</b>	-40 to 180°C
<b>Temp.Effect on Zero</b>	0.02%RO/°C (20 to 150°C) 0.03%RO/°C (-40 to 20°C)
<b>Temp.Effect on Output</b>	0.01%/°C
<b>Connector (on body)</b>	Φ6mm-4wire shielded cable, length: 5m



**Micro Sensor Technology**

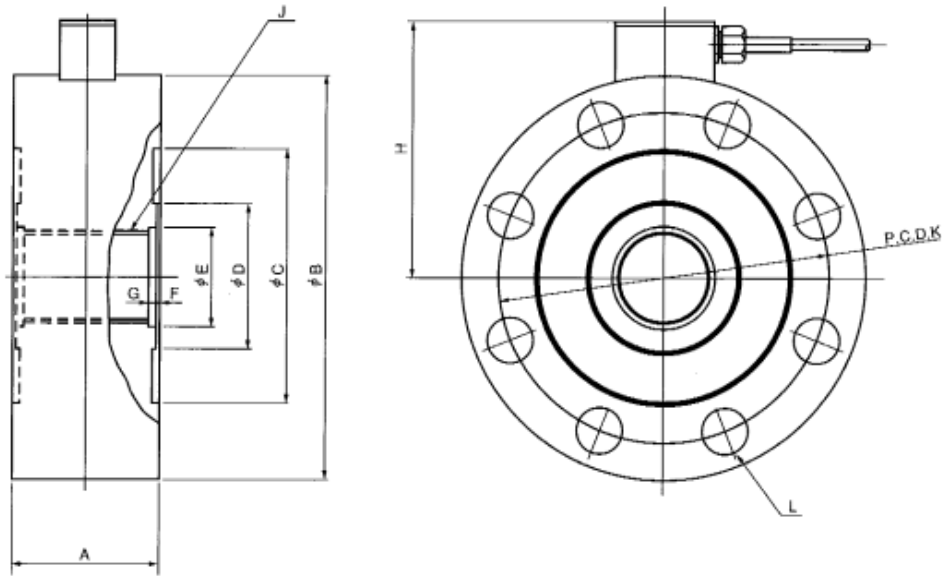
SHOWA MEASURING INSTRUMENTS INC.

Tokyo Japan



This is I.T. Co., Ltd.  
 1878 Moo 1 Soi Bearing 44 Sukhumvit 107 Rd.  
 T.Samrongnua A.Muang Samutprakarn Thailand 10270  
 Hot Line: 091-095-8123 Site: [www.thisisit.co.th](http://www.thisisit.co.th) E-mail: [sales@thisisit.co.th](mailto:sales@thisisit.co.th)

### Appearance Dimensions



Model and Capacity / Dimension / etc. (unit : mm)

Model	Capacity	A	B	C	D	E	F/G	H	J	K	L	Natural frequency	Weight
SHE-5KNLH	5kN	40	105	65	35	20	1/3	77	M18*1.5	85	8-Φ9	3.5kHz	2.2kg
SHE-10KNLH	10kN	40	105	65	35	20	1/3	77	M18*1.5	85	8-Φ9	5.0kHz	2.2kg
SHE-20KNLH	20kN	40	105	65	35	20	1/3	77	M18*1.5	85	8-Φ9	7.6kHz	2.2kg
SHE-50KNLH	50kN	50	120	74	40	26	1/4	86	M24*1.5	95	8-Φ11	8.8kHz	3.7kg
SHE-100KNLH	100kN	65	160	100	60	40	1/5	108.5	M36*2	130	8-Φ18	7.0kHz	8.5kg
SHE-200KNLH	200kN	80	220	140	80	55	1/5	140.5	M50*2	180	8-Φ26	5.6kHz	20kg

- The clearance tolerance of "E" comes to "H7".



**Micro Sensor Technology**

SHOWA MEASURING INSTRUMENTS INC.

Tokyo Japan