



This is I.T. Co., Ltd.

1878 Moo 1 Soi Bearing 44 Sukhumvit 107 Rd.

T.Samrongnua A.Muang Samutprakarn Thailand 10270

Hot Line: 091-095-8123 Site: www.thisisit.co.th E-mail: sales@thisisit.co.th

SHE – SHEAR BEAM TYPE AND HIGH OUTPUT LOAD CELL

Features

- Coping with a wide range of capacities (From 5kN to 1 MN).
- Supplied with an inspection data sheet in both tension and compression directions.
- Easy to treat because of its larger freedom in the mounting.
- Excellent in deflection proof and fatigue proof features.
- Widely installed on fatigue testing and industrial machines.
- Reaching an accuracy class of 0.05% (excluding certain rated capacities).



Specifications

Safe Overload	150%RC
Rated Output	2mV/V±1%
Nonlinearity	0.05% RO (5kN to 200kN) 0.15% RO (500kN,1MN)
Hysteresis	0.1% RO (5kN to 200kN) 0.15% RO (500kN,1MN)
Repeatability	0.03% RO (5kN to 200kN) 0.1% RO (500kN,1MN)
Excitation Voltage	12V (or less)
Safe Excitation Voltage	20V
Input Resistance	350Ω
Output Resistance	350Ω
Compensated Temp.Range	-10 to 60°C
Safe Temp.Range	-30 to 80°C
Temp.Effect on Zero	0.005%RO/°C
Temp.Effect on Output	0.01%/°C
Connector (on body)	Φ8mm-4wire shielded cable, length: 5m
Attached connector	PRC03-12A10-7M



Micro Sensor Technology

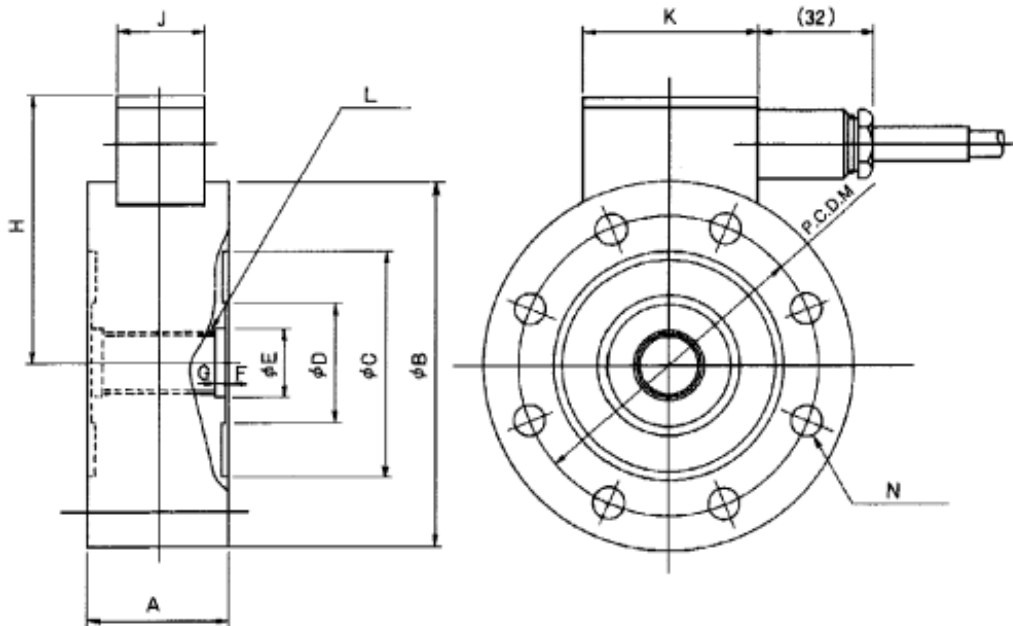
SHOWA MEASURING INSTRUMENTS INC.

Tokyo Japan



This is I.T. Co., Ltd.
 1878 Moo 1 Soi Bearing 44 Sukhumvit 107 Rd.
 T.Samrongnua A.Muang Samutprakarn Thailand 10270
 Hot Line: 091-095-8123 Site: www.thisisit.co.th E-mail: sales@thisisit.co.th

Appearance Dimensions



Model and Capacity / Dimension / etc. (unit : mm)

Model	Capacity	A	B	C	D	E	F/G	L	M	N	Natural frequency	Weight
SHE-5KN	5kN	40	105	65	35	20	1/3	M18*1.5	85	8-Φ9	3.5kHz	2.2kg
SHE-10KN	10kN	40	105	65	35	20	1/3	M18*1.5	85	8-Φ9	5.0kHz	2.2kg
SHE-20KN	20kN	40	105	65	35	20	1/3	M18*1.5	85	8-Φ9	7.6kHz	2.2kg
SHE-50KN	50kN	50	120	74	40	26	1/4	M24*1.5	95	8-Φ11	8.8kHz	3.7kg
SHE-100KN	100kN	65	160	100	60	40	1/5	M36*2	130	8-Φ18	7.0kHz	8.5kg
SHE-200KN	200kN	80	220	140	80	55	1/5	M50*2	180	8-Φ26	5.6kHz	20kg
SHE-500KN*	500kN	100	330	200	135	90	2/7	M85*2	265	8-Φ33	5.9kHz	54kg
SHE-1MN*	1MN	140	460	280	190	115	2/7	M110*3	370	16-Φ33	3.3kHz	140kg

- The clearance tolerance of "E" comes to "H7".
- Confirmation to undescribed items to be made with reference to descriptions on instruction manuals or directly to this Company.
- Items with Marks (*) can be built only on order.



Micro Sensor Technology

SHOWA MEASURING INSTRUMENTS INC.

Tokyo Japan