



This is I.T. Co., Ltd.
1878 Moo 1 Soi Bearing 44 Sukhumvit 107 Rd.
T.Samrongnua A.Muang Samutprakarn Thailand 10270
Hot Line: 091-095-8123 Site: www.thisisit.co.th E-mail: sales@thisisit.co.th

SH – SHEAR BEAM TYPE AND SMALL LOAD CELL

Features

- Conforming to wide range rated capacities (1N to 10MN).
- Combining inspection data on both tension and compression directions.
- Freely installable (screws and flanges are fixed to the load cell body).
- Experience in the supply of 10000 or more units allows us to be proud of its high reliability.
- Superior in resistance against deflective load and in fatigue life.
- Widely used in fatigue testing machines and industrial testing machines.
- Can supply special load cells with high accuracy against specific orders placed specifying center hole specifications (or hole diameters).



Specifications

Safe Overload	150%RC
Rated Output	0.75mV/V \pm 1% (1kN) 1.0mV/V \pm 1% (2kN) 1.5mV/V \pm 1% (5kN to 1MN)
Nonlinearity	0.15%RO
Hysteresis	0.15%RO
Repeatability	0.1%RO
Excitation Voltage	12V (or less)
Safe Excitation Voltage	20V
Input Resistance	350 Ω
Output Resistance	350 Ω
Compensated Temp.Range	-10 to 60 $^{\circ}$ C
Safe Temp.Range	-30 to 80 $^{\circ}$ C
Temp.Effect on Zero	0.01%RO/ $^{\circ}$ C (1kN) 0.005%RO/ $^{\circ}$ C (5kN to 1MN)
Temp.Effect on Output	0.01%/ $^{\circ}$ C
Connector (on body)	0.01%RO/ $^{\circ}$ C (1kN)
Attached cable	L-A-5



Micro Sensor Technology

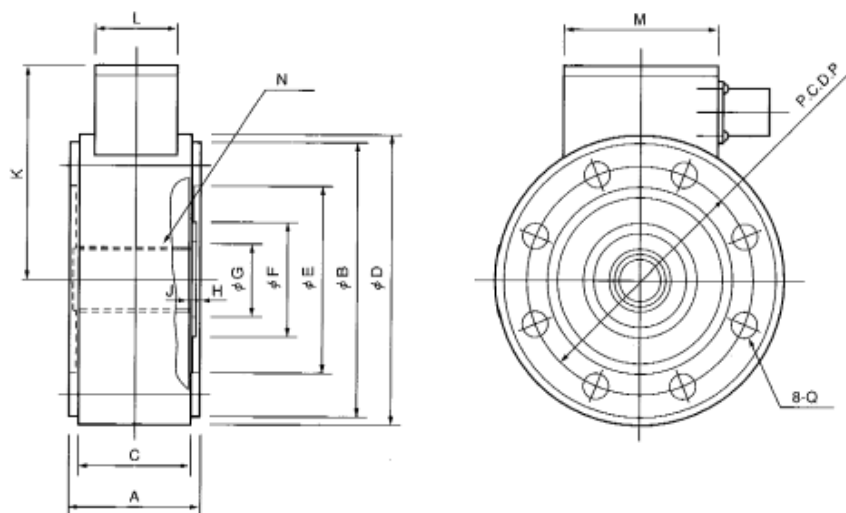
SHOWA MEASURING INSTRUMENTS INC.

Tokyo Japan



This is I.T. Co., Ltd.
 1878 Moo 1 Soi Bearing 44 Sukhumvit 107 Rd.
 T.Samrongnua A.Muang Samutprakarn Thailand 10270
 Hot Line: 091-095-8123 Site: www.thisisit.co.th E-mail: sales@thisisit.co.th

Appearance Dimensions



Model and Capacity / Dimension / etc. (unit : mm)

Model	Capacity	A	B	C	D	E	F	G	H/J	N	P	Q	Natural frequency	Weight
SH-1KN	1kN	25	65	22	70	41	18	14	0.5/2	M12×1	52	8-Φ6.5	6.5kHz	0.6kg
SH-2KN	2kN	25	65	22	70	41	18	14	0.5/2	M12×1	52	8-Φ6.5	8.0kHz	0.6kg
SH-5KN	5kN	25	65	22	70	41	18	14	0.5/2	M12×1	52	8-Φ6.5	11kHz	0.6kg
SH-10KN	10kN	25	65	22	70	41	18	14	0.5/2	M12×1	52	8-Φ6.5	16kHz	0.6kg
SH-20KN	20kN	30	65	22	70	41	18	14	0.5/2	M12×1	52	8-Φ6.5	21kHz	0.7kg
SH-50KN	50kN	30	88	27	92	60	30	22	1/2	M20×1.5	74	8-Φ9.0	18kHz	1.1kg
SH-100KN	100kN	34	117	31	121	82	46	34	1/2	M32×2	100	8-Φ11	16kHz	2.2kg
SH-200KN	200kN	50	166	-	-	116	60	44	1/2	M40×2	142	8-Φ17	12kHz	6.0kg
SH-500KN*	500kN	70	256	-	-	182	98	75	2/2	M70×2	217	8-Φ25	8.9kHz	28kg
SH-1MN*	1MN	96	372	-	-	272	144	105	2/2	M100×3	322	8-Φ34	7.1kHz	82kg

- The clearance tolerance of "G" comes to "H7".
- Confirmation to undescribed items to be made with reference to descriptions on instruction manuals or directly to this Company.
- Items with Marks (*) are produced only on order placed.
- Refer to this Company for dimensions, etc. of the items exceeding "1MN" in rated capacities.