



This is I.T. Co., Ltd.  
1878 Moo 1 Soi Bearing 44 Sukhumvit 107 Rd.  
T.Samrongnua A.Muang Samutprakarn Thailand 10270  
Hot Line: 091-095-8123 Site: [www.thisisit.co.th](http://www.thisisit.co.th) E-mail: [sales@thisisit.co.th](mailto:sales@thisisit.co.th)

# TCL-FA – DIAL-GAGE TYPE DISPLACEMENT TRANSDUCER

## Features

- Easy to handle because of the dial gage system employed (Graduation: 0.01mm).
- Less variation with lapse of time because of the cantilever system employed.
- Excellent thermal characteristics because of the compensation circuit inserted into the system.
- Can make calibration simply by utilizing graduations on the dial gage (Note that the dial graduations show calibration reference values only).
- Accuracy class: 0.5% RO.



## Specifications

<b>Rated Output</b>	1.5mV/V±1%
<b>Nonlinearity</b>	0.5%RO
<b>Hysteresis</b>	0.5%RO
<b>Repeatability</b>	0.3%RO
<b>Excitation Voltage</b>	3V (or less)
<b>Safe Excitation Voltage</b>	4V
<b>Input Resistance</b>	350Ω
<b>Output Resistance</b>	350Ω
<b>Compensated Temp.Range</b>	5 to 40°C
<b>Safe Temp.Range</b>	5 to 50°C
<b>Temp.Effect on Zero</b>	0.02%RO/°C
<b>Temp.Effect on Output</b>	0.02%/°C
<b>Cable</b>	Φ4mm-4wire shielded cable, length: 0.3m
<b>Attached connector</b>	Jack / PRC03-32A10-7F

**NOTE:** C-A-5 Relay Cable is sold separately



**Micro Sensor Technology**

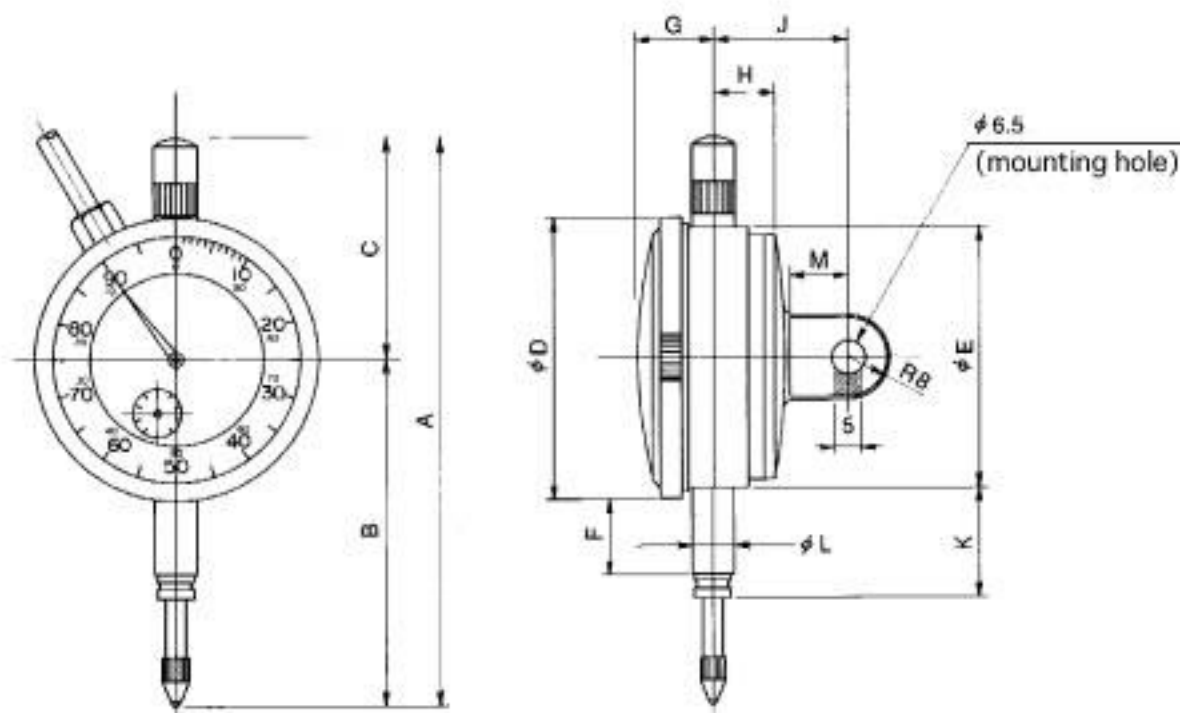
SHOWA MEASURING INSTRUMENTS INC.

Tokyo Japan



This is I.T. Co., Ltd.  
 1878 Moo 1 Soi Bearing 44 Sukhumvit 107 Rd.  
 T.Samrongnua A.Muang Samutprakarn Thailand 10270  
 Hot Line: 091-095-8123 Site: [www.thisisit.co.th](http://www.thisisit.co.th) E-mail: [sales@thisisit.co.th](mailto:sales@thisisit.co.th)

## Appearance Dimensions



Model and Capacity / Dimension / etc. (unit : mm)

Model	Capacity	A	B	C	D	E	F	G	H	J	K	L	M	Reaction force(N): start point/end point	Weight
TCL-5FA	5mm	106.5	65	41.5	52.8	49	14.1	14.5	11.5	25	20.5	8	11	0.5/1.6	155g
TCL-10FA	10mm	106.5	65	41.5	52.8	49	14.1	14.5	11.5	25	20.5	8	11	0.5/1.8	155g
TCL-20FA	20mm	129.5	88.5	41	66.5	62.5	20	14.5	12	24	27	8	10.5	0.6/2.0	170g
TCL-30FA	30mm	146.5	100.5	46	77.5	72.5	17.3	17.5	11	24	25.3	8	11	0.6/2.2	220g

- The weight indicated in the tables of this data sheet does not include the weight of cables.



**Micro Sensor Technology**

SHOWA MEASURING INSTRUMENTS INC.

Tokyo Japan