

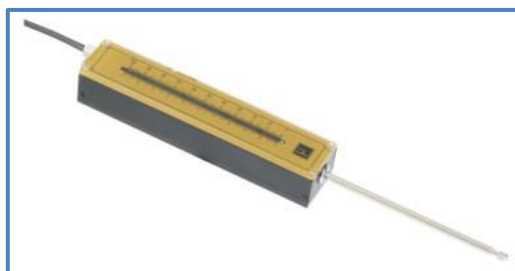


This is I.T. Co., Ltd.
1878 Moo 1 Soi Bearing 44 Sukhumvit 107 Rd.
T.Samrongnua A.Muang Samutprakarn Thailand 10270
Hot Line: 091-095-8123 Site: www.thisisit.co.th E-mail: sales@thisisit.co.th

TCLB – SLIDING RESISTANCE TYPE DISPLACEMENT TRANSDUCER

Features

- Simple reading with the ruler graduations provided.
- High accuracy because of slide resistor system employed.
- Using special noiseless contact in the device.
- Accuracy class: 0.2% RO.



Specifications

Rated Output	1.5mV/V \pm 1% (A Series) 100 \times 10 ⁻⁶ strain / mm (B Series)
Nonlinearity	0.2%RO
Hysteresis	0.2%RO
Repeatability	0.1%RO
Excitation Voltage	10V (or less)
Safe Excitation Voltage	12V
Input Resistance	350 Ω
Output Resistance	350 Ω
Compensated Temp.Range	0 to 50 $^{\circ}$ C
Safe Temp.Range	0 to 60 $^{\circ}$ C
Temp.Effect on Zero	0.02%RO/ $^{\circ}$ C
Temp.Effect on Output	0.01%/ $^{\circ}$ C
Cable	Φ 4mm-4wire shielded cable, length: 0.3m (30 to 100 mm) Φ 6mm-4wire shielded cable, length: 0.3m (200 to 300 mm)
Attached connector	Jack / PRC03-32A10-7F

NOTE: C-A-5 Relay Cable is sold separately



Micro Sensor Technology

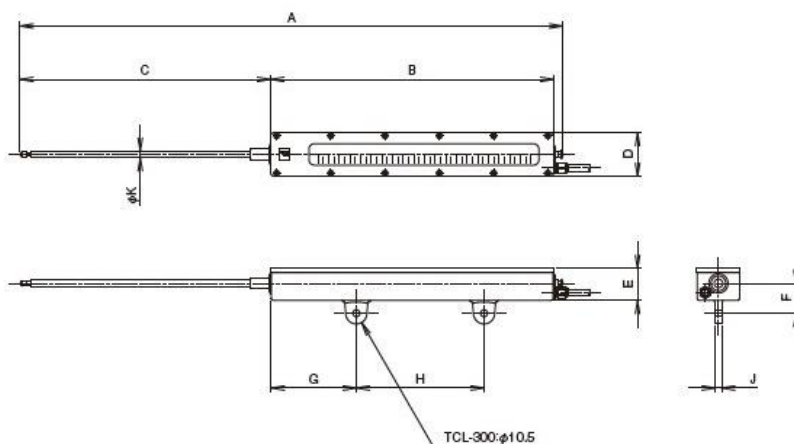
SHOWA MEASURING INSTRUMENTS INC.

Tokyo Japan



This is I.T. Co., Ltd.
 1878 Moo 1 Soi Bearing 44 Sukhumvit 107 Rd.
 T.Samrongnua A.Muang Samutprakarn Thailand 10270
 Hot Line: 091-095-8123 Site: www.thisisit.co.th E-mail: sales@thisisit.co.th

Appearance Dimensions



Model and Capacity / Dimension / etc. (unit : mm)

Model	Capacity	A	B	C	D	E	F	G	H	J	K	Reaction force(N): start point/end point	Weight
TCLB-30A	30 mm	129.4	76	46.7	32	27	27	35	-	6	5	1.8/3.5	250 g
TCLB-50A,B	50 mm	169.4	96	66.7	32	27	27	40	-	6	5	1.9/3.5	280 g
TCLB-100A,B	100 mm	276.4	153	116.7	32	27	27	70	-	6	5	1.9/3.2	320 g
TCLB-200A	200 mm	510	266	235.5	41	30	28	80	120	6	6	3.5/8.0	630 g
TCLB-300A	300 mm	814	411	364	70	45	46	75	254	10	10	9.5/13.0	2.5 kg

- The weight indicated in the tables of this data sheet does not include the weight of cables.