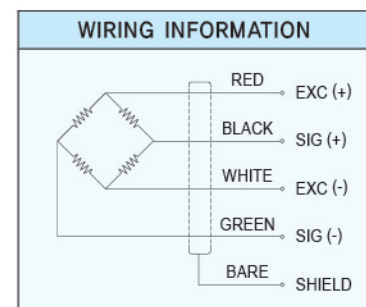
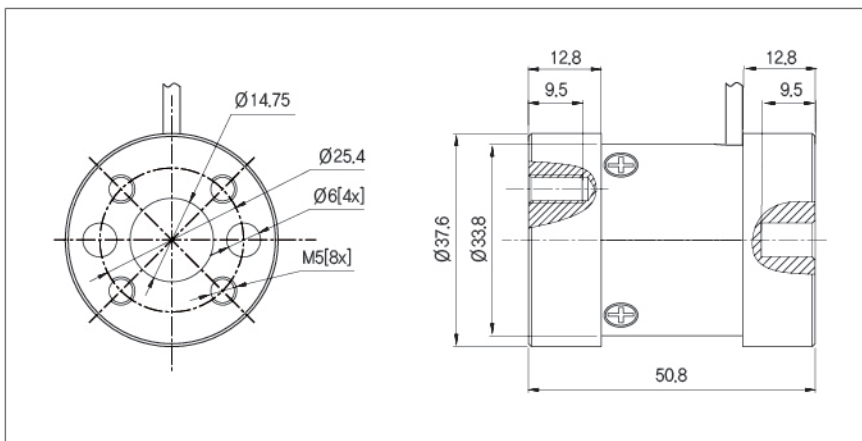
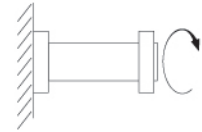


Socket Wrench Rotary Torque Sensors

> Model TCN129

- Static torque sensor
- Made of aluminum alloy
- Compact structure, easy to install
- Used for static, non-continuous rotational torque force measurements



> SPECIFICATIONS

Specifications	Accuracy
Rated capacity(R.C)	10, 20, 30, 50, 100 (N-m)
Rated output(R.O)	2.0mV/V±10%
Nonlinearity	0.5% of R.O.
Hysteresis	0.25% of R.O.
Repeatability	0.1% of R.O.
Creep(30min)	0.5% of R.O.
Zero balance	±2% of R.O.
Temperature effect on rated output	0.05% of LOAD/10°C
Temperature effect on zero balance	0.05% of R.O./10°C
Temperature range, compensated	-10°C to 60°C
Temperature range, safe	-20°C to 80°C
Terminal resistance, input	350±30Ω
Terminal resistance, output	350±5Ω
Insulation resistance bridge	2000MΩ
Excitation recommended	10V
Excitation maximum	15V
Safe overload	120% R.C.
Ultimate overload	200% R.O.
Cable length	Ø3mm 4core, 3m

★ Specifications are subject to change without notice.