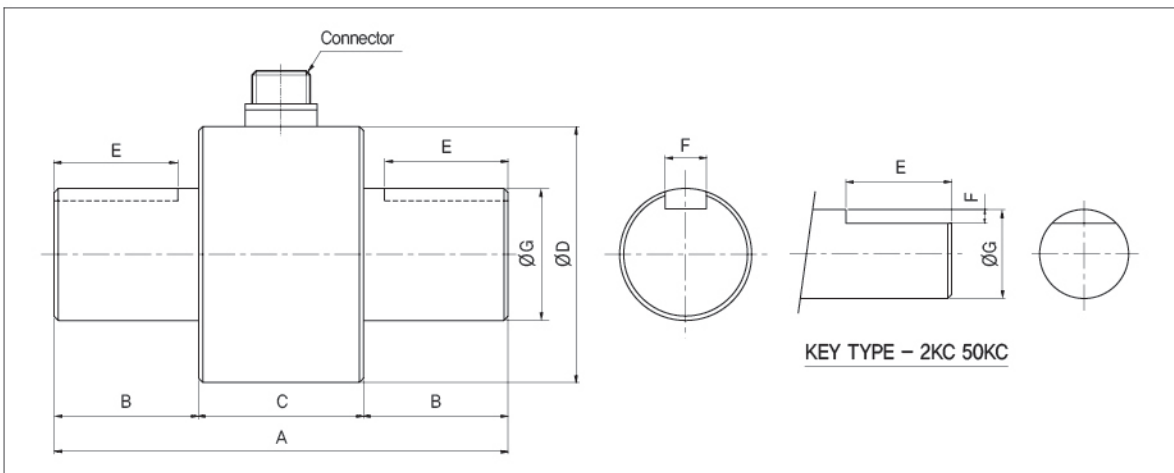
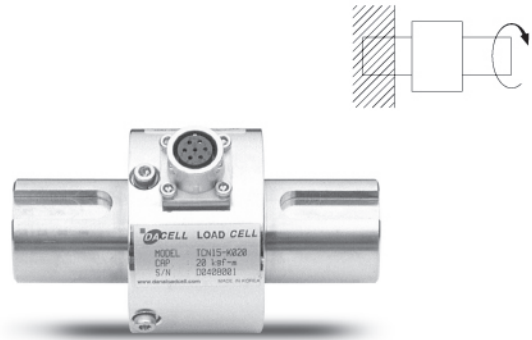


Non-Rotary Torque Sensors

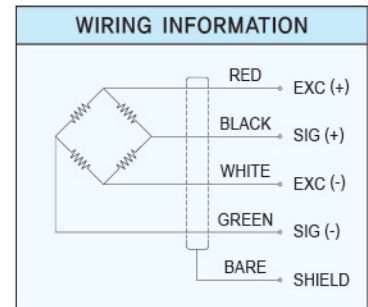
> Model TCN15

A static torque sensor for measurement of torque of stationary objects or within a certain angle rotation. Suitable for torque measurement of various automobile parts, pneumatic and electric screwdriver etc.



> SPECIFICATIONS

Specifications	Accuracy
Rated capacity(R.C)	2~50kgf-cm(0.196N-m~4.903N-m), 1~100kgf-m(9.807N-m~980N-m)
Rated output(R.O)	1mV/V ±1%
Nonlinearity	0.3% of R.O.
Hysteresis	0.2% of R.O.
Repeatability	0.1% of R.O.
Temperature effect on rated output	0.2% of LOAD/10°C
Temperature effect on zero balance	0.3% of R.O./10°C
Excitation recommended	10V
Safe overload	120% R.C.



> DIMENSIONS TABLE

unit:mm

Capacity	A	B	C	ØD	E	F	G
2kgf-cm (0.1961N-m)	75	20	35	34	15	1	8
5kgf-cm (0.490N-m)	75	20	35	34	15	1	8
10kgf-cm (0.981N-m)	75	20	35	34	15	1	8
20kgf-cm (1.961N-m)	75	20	35	34	15	1	8
30kgf-cm (2.942N-m)	75	20	35	34	15	1	12
50kgf-cm (4.903N-m)	75	20	35	34	15	1	12
1kgf-m (9.807N-m)	82	21	40	40	16	5×5	18
2kgf-m (19.61N-m)	82	21	40	40	16	5×5	18
3kgf-m (29.42N-m)	82	21	40	43	16	5×5	18
5kgf-m (49.03N-m)	82	21	40	43	16	5×5	18
10kgf-m (98.07N-m)	110	35	40	62	30	10×8	32
20kgf-m (196.1N-m)	110	35	40	62	30	10×8	32
50kgf-m (490.3N-m)	155	55	45	84	50	12×8	47
100kgf-m (980.7N-m)	155	55	45	84	50	12×8	47

★Specifications are subject to change without notice.