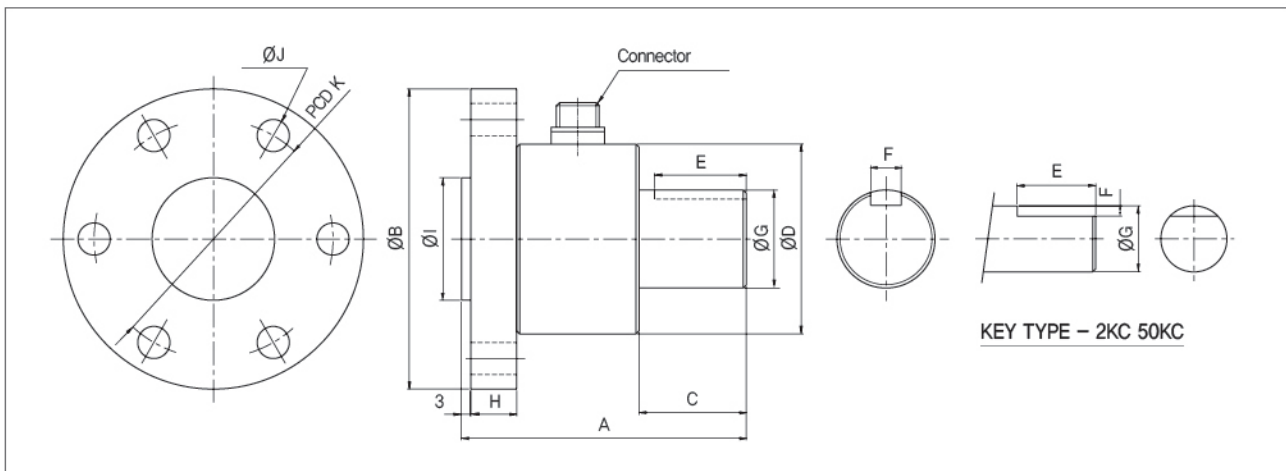
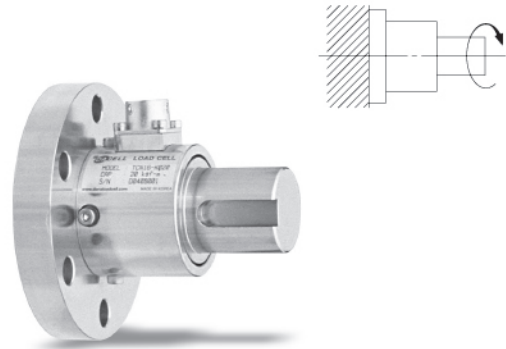


# Non-Rotary Torque Sensors

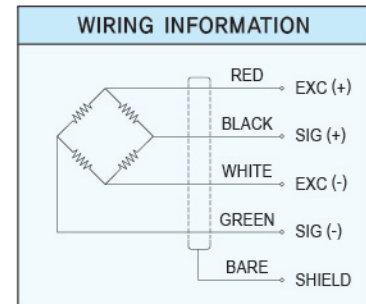
## > Model TCN16

A static torque sensor for measurement of torque of stationary objects or within a certain angle rotation. Suitable for torque measurement of various automobile parts, pneumatic and electric screwdriver etc.



## > SPECIFICATIONS

Specifications	Accuracy
Rated capacity(R,C)	2~50kgf-cm(0.196N-m~4.903N-m), 1~100kgf-m(9.807N-m~980N-m)
Rated output(R,O)	1mV/V ±1%
Nonlinearity	0.3% of R.O.
Hysteresis	0.2% of R.O.
Repeatability	0.1% of R.O.
Temperature effect on rated output	0.2% of LOAD/10°C
Temperature effect on zero balance	0.3% of R.O./10°C
Excitation recommended	10V
Safe overload	120% R.C.



## > DIMENSIONS TABLE

unit:mm

Capacity	A	B	C	D	E	F	G	H	I	J	K
2kgf-cm (0.1961N-m)	63	58	20	34	15	1	8	5	20	4-Ø4.5	46
5kgf-cm (0.490N-m)	63	58	20	34	15	1	8	5	20	4-Ø4.5	46
10kgf-cm (0.981N-m)	63	58	20	34	15	1	8	5	20	4-Ø4.5	46
20kgf-cm (1.961N-m)	63	58	20	34	15	1	8	5	20	4-Ø4.5	46
30kgf-cm (2.942N-m)	68	80	20	34	15	1	12	10	40	4-Ø6.5	66
50kgf-cm (4.903N-m)	68	80	20	34	15	1	12	10	40	4-Ø6.5	66
1kgf-m (9.807N-m)	74	80	21	43	16	5×5	18	10	40	4-Ø6.5	66
2kgf-m (19.61N-m)	74	80	21	43	16	5×5	18	10	40	4-Ø6.5	66
3kgf-m (29.42N-m)	74	80	21	43	16	5×5	18	10	40	4-Ø6.5	66
5kgf-m (49.03N-m)	74	80	21	43	16	5×5	18	10	40	4-Ø6.5	66
10kgf-m (98.07N-m)	93	98	35	50	30	10×8	32	15	40	6-Ø10.5	78
20kgf-m (196.1N-m)	93	98	35	50	30	10×8	32	15	40	6-Ø10.5	78
50kgf-m (490.3N-m)	123	146	55	84	50	12×8	47	20	60	6-Ø13	115
100kgf-m (980.7N-m)	123	146	55	84	50	12×8	47	20	60	6-Ø13	115

★ Specifications are subject to change without notice.