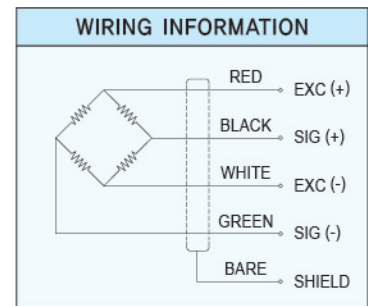
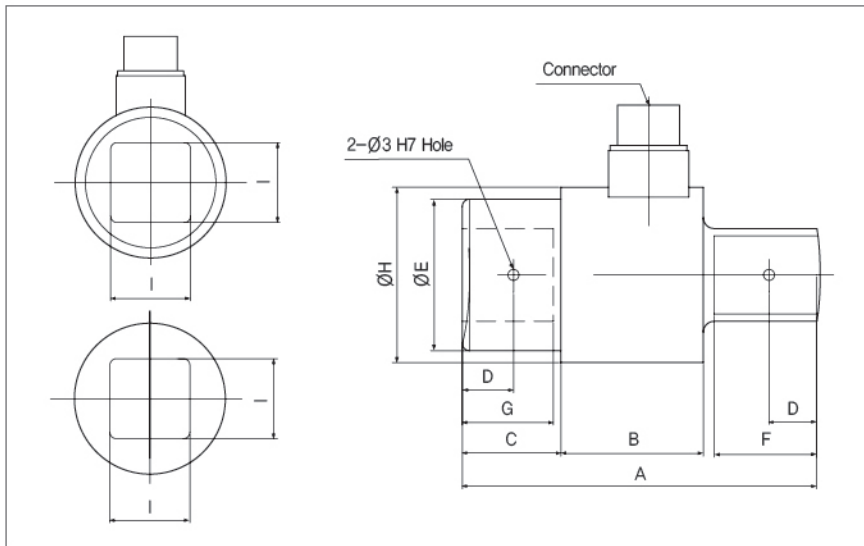
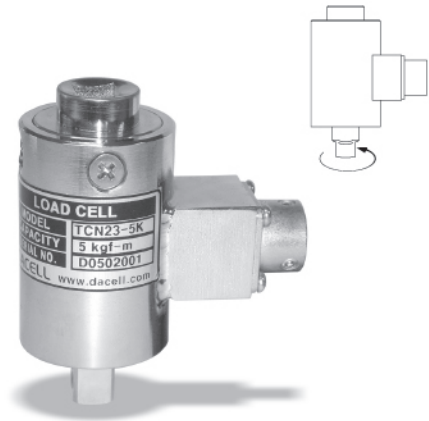


Socket Wrench Rotary Torque Sensors

> Model TCN23

- Adaptable for portable usage
- No special adapter tools required
- Precision repeatable torque measurements
- Calibration reference for 'hard usage' mechanical torque wrenches



> SPECIFICATIONS

Specifications	Accuracy
Rated capacity(R.C)	2~1000kgf-cm
Rated output(R.O)	1mV/V±1%
Nonlinearity	0.3% of R.O.
Hysteresis	0.3% of R.O.
Repeatability	0.2% of R.O.
Temperature range, compensated	-10°C to 60°C
Temperature range, safe	-10°C to 80°C
Terminal resistance, input	350Ω ±30Ω
Terminal resistance, output	350Ω ±2Ω
Insulation resistance bridge	2000MΩ
Excitation recommended	10V
Safe overload	120% R.C.
Cable length	Ø5mm 4core, 5m

> DIMENSIONS TABLE

unit:mm

Capacity	A	B	C	D	ØE	F	G	ØH	I
2 kgf-cm	58	33	12	4	14	11	11	28	1/4"
5, 10 kgf-cm	60	33	13	5.5	16.5	12.5	12	28	3/8"
20, 50 kgf-cm	60	33	13	5.5	16.5	12.5	13	28	3/8"
100, 200 kgf-cm	71	37	16	7	22	16	17	28	1/2"
500, 1000 kgf-cm	98	39	27	14	41.5	29	27	48	1"

★Specifications are subject to change without notice.