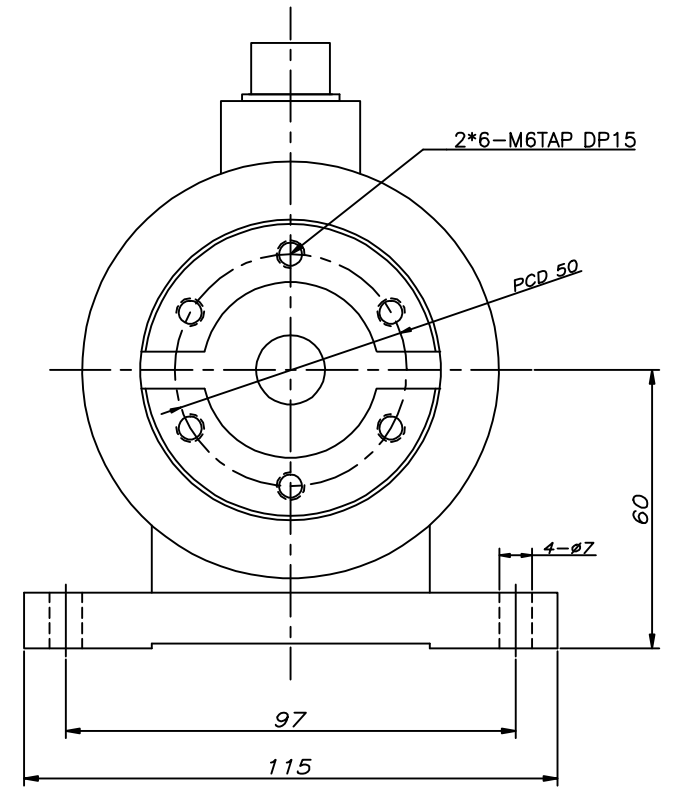
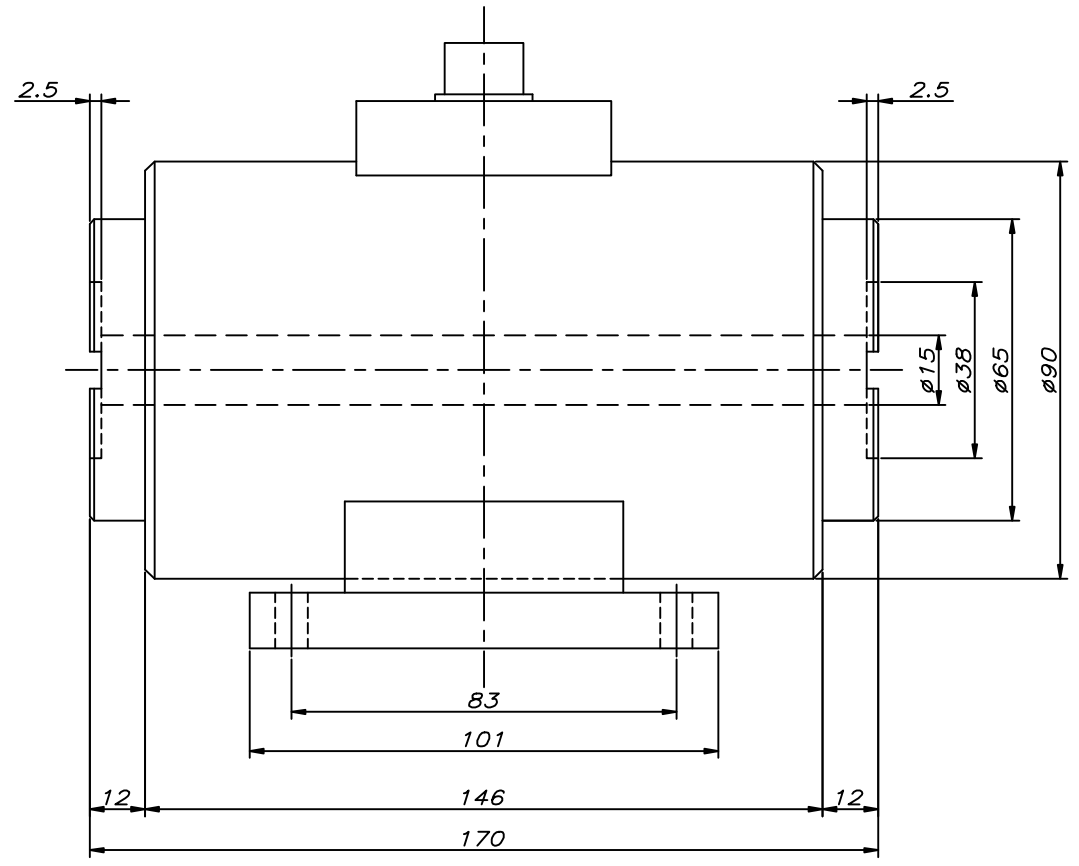


NO	DATE	ZONE	REVISION	CO'T	SIGN
△					



1										
NO	DESCRIPTION	MATERIAL	HEAT TREAT	Q'TY	DIMENSIONS	REMARK				
CHAMFER <input type="checkbox"/> C 0.1 <input type="checkbox"/> C 0.3 <input checked="" type="checkbox"/> C 0.5 <input type="checkbox"/> C 1		SCALE	ANGLE	1st	DESCRIPTION					
TOLERANCE LIMITS <input checked="" type="checkbox"/> MM <input type="checkbox"/> INCH		1 : 1	3rd	TORQUE SENSOR						
0. ±0.1 0.0 ±0.04 0.0 ±0.05 0.00 ±0.02 0.00 ±0.01 0.000 ±0.004 0.000 ±0.002 0.0000 ±0.0002		DRAWN BY JJS	PLANNED BY	CHECKED BY	APPROVED BY	MODEL TRC13-K5	ORDER.			
		2015.06.12				ORDER DWG. NO				
						DWG NO TRC13-1A-K5	SHEET			