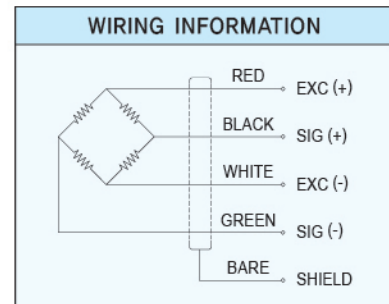
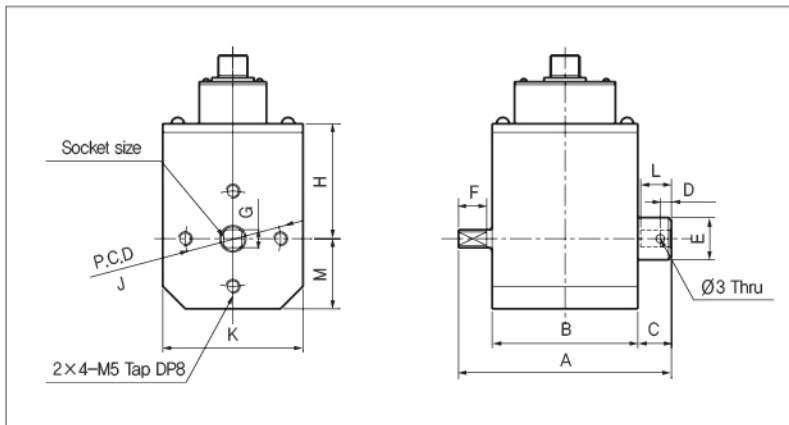


Socket Wrench Rotary Torque Sensors

> Model TRS

TRS socket wrench torque sensors are used for fast, accurate measurement of bolt or nut wrenching torque. This model operates in both directions so tightening and break-away torques can be measured. It can also be used to check the calibration of mechanical torque wrenches.



> SPECIFICATIONS

Specifications	Accuracy
Rated capacity(R.C)	2kgf-cm~3000kgf-cm (19.61N-cm~29.42kN-cm)
Rated output(R.O)	1.3mV/V ± 1%
Nonlinearity	0.3% of R.O.
Hysteresis	0.3% of R.O.
Repeatability	0.3% of R.O.
Temperature effect on rated output	0.1% of LOAD/10°C
Temperature effect on zero balance	0.05% of R.O./10°C
Temperature range, compensated	-10°C to 60°C
Temperature range, safe	-20°C to 70°C
Terminal resistance, input	350Ω ± 3.5Ω
Terminal resistance, output	350Ω ± 3.5Ω
Insulation resistance bridge/case	2000MΩ
Excitation recommended	10V
Safe overload	150% R.C.
Cable length	Ø4mm 4core, 3m

> DIMENSIONS TABLE

unit:mm

Capacity	Socket Size	A	B	C	D	ØE	F	G	M	K	L	J	H
2.5, 10kgf-cm (19.61N-cm, 49.03N-cm, 98.07N-cm)	1/4"	76	52	12	4	15	10	6.35	25	50	11	34	41
20, 50kgf-cm (196.1N-cm, 490.3N-cm)	3/8"	82	56	12	4	15	12.5	9.53	25	50	13	34	41
100, 300kgf-cm (980.7N-cm, 2,942kN-cm)	1/2"	96	58.5	19.5	7	20	16	12.7	31	62	17	44	42
500, 1000kgf-cm (4,903kN-cm, 9,807kN-cm)	3/4"	106	58	24	10	30	22	19.1	34	68	22	52	53
2000, 3000kgf-cm (19,61kN-cm, 29,42kN-cm)	1"	123	58	33	14	40	29.2	25.4	39	78	28	62	54

★ Specifications are subject to change without notice.